

# **TRIUMPH**

# **REPLACEMENT PARTS CATALOGUE**

**FOR 1973**

# **TRIDENT T150V SERIES 2**

USA Edition, Part No 99-0982

**TRIUMPH ENGINEERING COMPANY LIMITED**  
**MERIDEN WORKS · ALLESLEY · COVENTRY CV5 9AU · ENGLAND**  
**TELEPHONE COVENTRY 20221**                      **TELEGRAMS "TRUSTY" COVENTRY**  
**MERIDEN 331**    **TELEX "TRUSTY" 31305**

**PUBLISHED DECEMBER 1972**

# INTRODUCTION

The Triumph Engineering Co. Ltd. point out that the information contained in this catalog was complete and correct at the time of printing. Distributors will be informed of any subsequent alterations.

## GUARANTEE

Please refer to your local dealer or distributor for the latest terms of guarantee.

### **Eastern U.S.A. Distributor:**

Triumph Motorcycle Corporation,  
P.O. Box 6790,  
Towson,  
Baltimore 4,  
Maryland 21204.

Telex—Tricor Balt. 87728  
Telephone—301-252-1700

### **Western U.S.A. Distributor:**

Triumph Motorcycle Corporation,  
P.O. Box 2765,  
East Huntington Drive,  
Duarte,  
California 91010.

Telex—Tricor Duarte 675469  
Telephone—213-359-3221  
213-681-0255

## ENGINE AND FRAME NUMBERS

The engine number is located on the left side of the engine, immediately below the cylinder barrel to crankcase flange.

The frame number is located on the left side of the frame headlug, beneath the fork top lug and forward of the gasoline tank.

Both the engine and frame number should be quoted in full in any correspondence relating to the machine.



COPYRIGHT

All rights reserved. No part of this publication may be reproduced without permission.

# PROPRIETARY GROUP

Ancillary equipment which is fitted to our motor cycles is of the highest quality and is guaranteed by the manufacturers and not by ourselves. Any repairs or claims should be directed to the actual makers or their local agents who will always give owners every possible assistance. The following are the addresses of the various manufacturers:—

## **CARBURETORS.**

Messrs. Amal Ltd.,  
Holdford Road,  
Witton,  
Birmingham, 6.

## **CHAINS.**

Renold Chains Ltd.,  
Wythenshawe,  
Manchester.

## **ELECTRICAL EQUIPMENT.**

Messrs. J. Lucas Ltd.,  
Gt. Hampton Street,  
Birmingham, 18.

## **TIRES.**

Dunlop Rubber Co. Ltd.,  
Fort Dunlop,  
Birmingham, 24.

The Avon Rubber Co. Ltd.,  
Melksham  
Wilts.

## **SPARK PLUGS.**

Champion Sparking Plug Co. Ltd.,  
Feltham,  
Middlesex.

## **SPEEDOMETERS.**

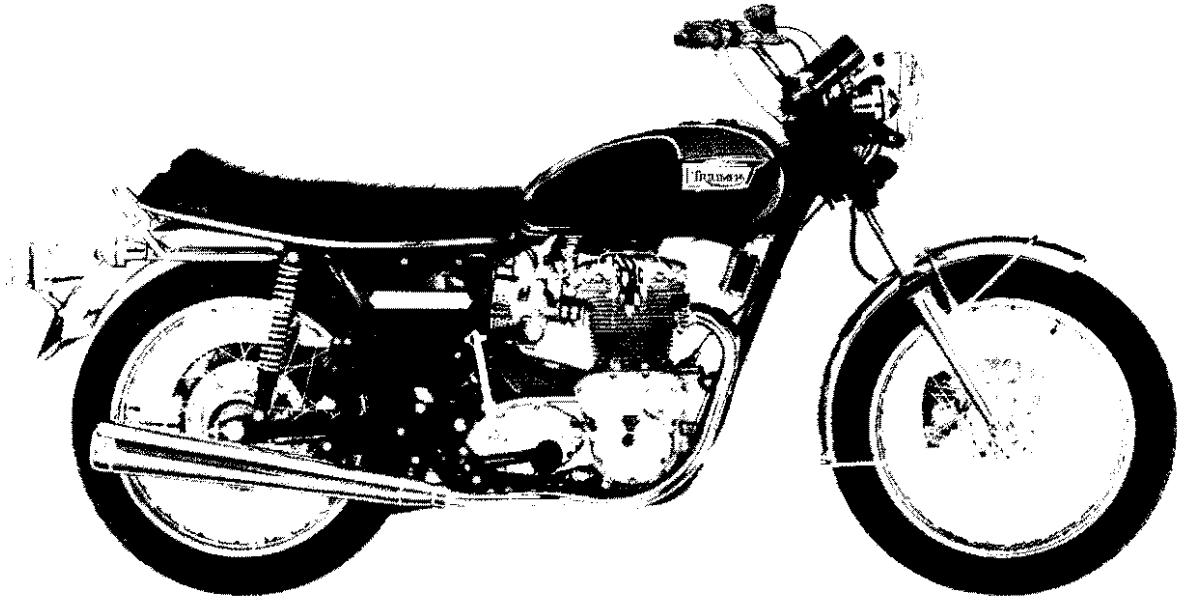
Messrs. Smiths Industries Ltd.,  
Cricklewood Works,  
London, N.W.2.

## **SUSPENSION UNITS.**

Messrs. Girling Ltd.,  
Birmingham Road,  
West Bromwich,  
Staffordshire.

# INDEX

	<i>Page</i>		<i>Page</i>
AIR FILTER ... ..	59	MANIFOLDS ... ..	23, 43
ALTERNATOR ... ..	21	MASTER CYLINDER ... ..	49
AUTO-ADVANCE UNIT ... ..	21	MOTOR PLATES ... ..	41
		MOTOR TORQUE STAY ... ..	41
BATTERY CARRIER ... ..	59	MUFFLERS ... ..	43
BRAKE SWITCHES ... ..	75		
		OIL COOLER ... ..	53
CAMSHAFT, INLET AND EXHAUST	9	OIL PUMP ... ..	13
CARBURETOR ... ..	17	OIL TANK ... ..	57
CENTRE STAND ... ..	37	OIL FILTER ... ..	13
CHAINS ... ..	35	OVERSIZE PARTS ... ..	7
CHAINCASE ... ..	33		
CLUTCH ... ..	31	PISTONS ... ..	9
COIL ... ..	75	PROP STAND ... ..	37
CONDENSER PACK ... ..	75	PUSH RODS ... ..	19
CONNECTING RODS ... ..	9		
CONTACT BREAKER ... ..	21	REAR WHEEL ... ..	51
CONTROL CABLES ... ..	69	RECTIFIER ... ..	75
CONTROL LEVERS ... ..	49, 67	REFLECTORS ... ..	53
CRANKCASE ... ..	11	ROCKERS ... ..	15
CRANKSHAFT ... ..	9		
CYLINDERS ... ..	19	SIDE PANELS ... ..	61
CYLINDER HEAD ... ..	15	SPARK PLUGS ... ..	75
		SPEEDOMETER ... ..	73
EXHAUST PIPES ... ..	43	SPEEDOMETER GEARBOX ... ..	51
EXHAUST PIPE ADAPTOR ... ..	15	STEERING RACES ... ..	37, 45
		SUSPENSION UNITS ... ..	39
FLASHERS ... ..	77	SWINGING FORK ... ..	39
FENDERS ... ..	63	SWITCHES ... ..	67
FOOTRESTS ... ..	41, 43		
FRAME ... ..	37	TABLE OF STANDARD HARDWARE	78
FRONT BRAKE... ..	49	TACHOMETER ... ..	73
FRONT FORKS ... ..	45	TACHOMETER GEARBOX ... ..	73
FRONT WHEEL ... ..	47	TAIL LAMP ... ..	65
		TAPPETS ... ..	19
GAS TANK ... ..	55	TIMING GEARS ... ..	9
GEARBOX ... ..	25, 27, 29	TOOLKIT ... ..	71
		TWIN SEAT ... ..	61
HANDLEBARS ... ..	67		
HANDLEBAR MOUNTINGS ... ..	67	VALVES ... ..	15
HEADLAMP ... ..	77	VALVE GUIDES ... ..	15
HEAT SINK ... ..	75		
HORN ... ..	75	WARNING LIGHTS ... ..	77
		WIRING HARNESS ... ..	77
KICKSTARTER ... ..	25	ZENER DIODE ... ..	75



### TRIDENT (T150V) TECHNICAL DATA

Bore and stroke...	...	...	...	...	...	...	...	...	67 x 70 mm. 2.67 x 2.751 ins.
Capacity ...	...	...	...	...	...	...	...	...	741 c.c. (45 cu. ins.)
Compression ratio	...	...	...	...	...	...	...	...	9.5 : 1
Spark plugs	...	...	...	...	...	...	...	...	Champion N3
Carburetors	...	...	...	...	...	...	...	...	3 Amal Concentric 626
				Main jet	...	...	...	...	150
				Needle jet	...	...	...	...	.106
				Throttle valve	...	...	...	...	No. 3½
Gearbox sprocket	...	...	...	...	...	...	...	...	18 teeth
Chains	...	...	...	Front	...	...	...	...	¾" Triplex x 82 links
				Rear	...	...	...	...	¾" x ¾" x 108 links
Capacities	...	...	...	Fuel Tank	...	...	...	...	4.2 U.S. galls. (3½ Imp. galls.) (15.94 litres)
				Oil Tank	...	...	...	...	7.2 U.S. pints (6 Imp. pints) (3.8 litres) working capacity
				Gearbox...	...	...	...	...	1½ U.S. pints (1¼ Imp. pints) (750 c.c.)
				Primary Chaincase	...	...	...	...	¾ U.S. pint (¾ Imp. pints)(350 c.c.)
				Front Forks (each leg)	...	...	...	...	230 c.c.
Tire size	...	...	...	Front	...	...	...	...	4.10 x 19 ins.
				Rear	...	...	...	...	4.10 x 19 ins.

# HOW TO USE THIS PARTS CATALOGUE

First check that the engine number of your machine is subsequent to that quoted on the title page.

Next consult the index on Page 4 for the parts or group of parts which you wish to locate. When you have located the parts make sure from the end columns that the part you have located does apply to your machine. If proprietary parts are listed only under manufacturers part numbers and marked 'reference only', they are not available from the factory.

List the quantities required as single units; do not ask for "2 pairs" or "3 dozen".

## COLOR

Petrol tank—Hi-Gloss Jet/Black  
Fenders —Chrome  
Side covers—Black

N.B. It is important to state year and model of machine when ordering painted components.

## PLEASE NOTE

THROUGHOUT THIS LIST, ASSEMBLIES ARE PRINTED IN CAPITALS AND THE COMPONENTS INCLUDED IN THAT ASSEMBLY ARE INDENTED IN THE DESCRIPTION COLUMN, REVERTING TO THE ORIGINAL ALIGNMENT WHEN THE ASSEMBLY IS COMPLETE. TO ORDER THE COMPLETE ASSEMBLY IT IS NECESSARY ONLY TO QUOTE THE ASSEMBLY NUMBER. ANY COMPONENT PARTS LISTED MAY ALSO BE OBTAINED SEPARATELY IF REQUIRED.

## SPECIAL WORKSHOP TOOLS

A COMPLETE LIST OF WORKSHOP TOOLS CAN BE MADE AVAILABLE BY EITHER CONTACTING YOUR DEALER OR APPLYING DIRECT TO THE TRIUMPH SERVICE DEPARTMENT. IN MOST CASES THESE TOOLS ARE VERY COSTLY AS THEY ARE MADE ENTIRELY FOR WORKSHOP USE, AND THEREFORE, IT IS NOT RECOMMENDED THAT THE PRIVATE OWNER PURCHASES THE TOOLS IN ORDER TO AID SERVICING THE MACHINE ONCE OR TWICE ONLY. IN THESE CIRCUMSTANCES IT IS FAR MORE ECONOMICAL TO GET IN TOUCH WITH A RECOGNISED DEALER.

**PISTON, PISTON RING AND BEARING OVERSIZES**  
**PISTONS (Complete with rings, gudgeon pins and circlips)**

These are in effect "carton pack" assemblies

Compression ratio 9.5 : 1 { 70-9741 Std.  
 70-9762 +10  
 70-9763 +20  
 70-9764 +40

**PISTON RINGS**

99-3780	{ 2 off 70-6838 Compression ring 1 off 70-9739 Scraper ring	} Std
99-3781	{ 2 off 70-9016 Compression ring 1 off 70-9766 Scraper ring	} +10
99-3782	{ 2 off 70-9017 Compression ring 1 off 70-9767 Scraper ring	} +20
99-3783	{ 2 off 70-9018 Compression ring 1 off 70-9768 Scraper ring	} +40

**BIG END BEARINGS SHELLS**

70-5998 Shell Std.  
 70-9023 Shell —10  
 70-9024 Shell —20  
 70-9025 Shell —30  
 70-9026 Shell —40

**MAIN BEARING SHELLS**

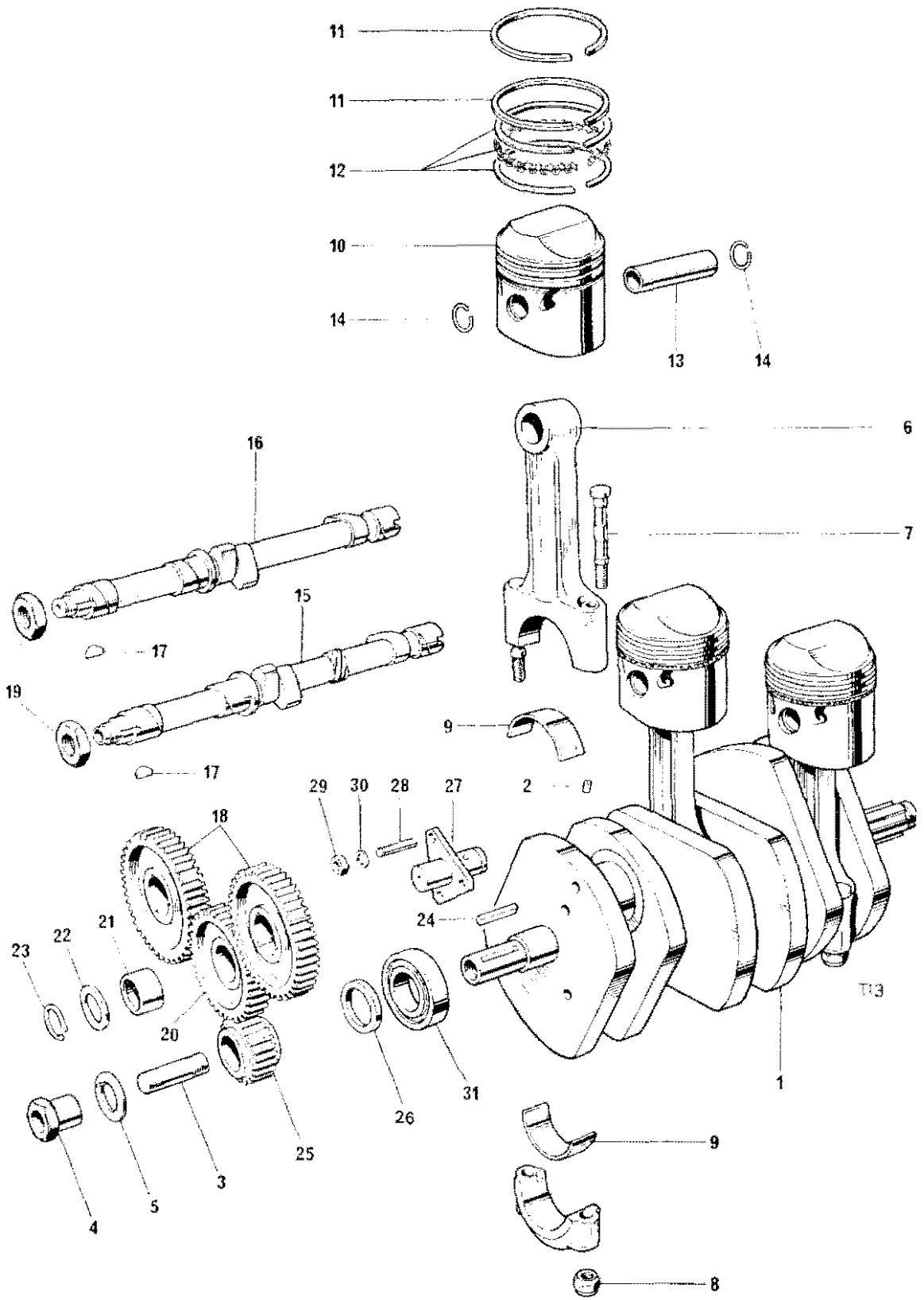
70-9027 —.010 in. undersize  
 70-9028 —.020 in. undersize  
 70-9029 —.030 in. undersize  
 70-9030 —.040 in. undersize

**CYLINDER BARREL**

70-6529 Std.  
 71-2507 +10  
 71-2508 +20  
 71-2509 +40

**VALVE GUIDES**

71-3280 +.002 in.  
 71-3281 +.015 in.



**Fig. 1. CRANKSHAFT AND CONNECTING RODS**



**CRANKSHAFT AND CONNECTING RODS**

1	70-8778	CRANKSHAFT ASSEMBLY ... ..	1	
2	70-6577	Oilway plug ... ..	4	
3	21-0548	Rotor stud (1 $\frac{3}{8}$ in. O.A.) ... ..	1	
4	70-8763	Rotor nut ... ..	1	
5	70-3975	Washer ... ..	1	
6	70-9740	CON ROD ASSEMBLY ... ..	3	
7	70-9727	Bolt con rod ... ..	2	
8	60-3761	Nut, con rod ... ..	2	
9	70-5998	*Bearing, big end ... ..	6	
10	70-9741	†PISTON ASSEMBLY ... ..	3	
11	70-6838	‡Taper piston ring ... ..	2	
12	70-9739	Scraper ring ... ..	1	
13	70-6836	Gudgeon pin ... ..	1	
14	70-6840	Circlip ... ..	2	
15	70-8765	Exhaust camshaft ... ..	1	
16	70-8764	Inlet camshaft ... ..	1	
17	70-1558	Key, camshaft ... ..	2	
18	71-12718	Pinion camshaft ... ..	2	
19	70-6523	Nut, camshaft ... ..	2	
20	71-12246	Intermediate timing gear ... ..	1	
21	70-7650	Needle roller bearing ... ..	1	
22	70-6088	Thrust washer ... ..	1	
23	70-8768	Circlip ... ..	1	
24	70-1580	Key—timing pinion and rotor ... ..	1	
25	70-6524	Timing pinion ... ..	1	
26	70-6173	Distance piece ... ..	1	
27	71-12250	Spindle, intermediate gear ... ..	1	
28	21-0547	Stud ( $\frac{7}{8}$ in. O.A.) ... ..	3	
29	14-0401	Nut, intermedlate gear ... ..	3	
30	60-4250	Washer ... ..	3	
31	70-8780	Main bearing (roller) ... ..	1	

\* Available in undersizes of -0.010", 0.020", 0.030", 0.040"  
 † Available in oversizes of +0.010", 0.020", 0.040"  
 ‡ Available in oversizes of +0.010, 0.020", 0.040" } See page 7

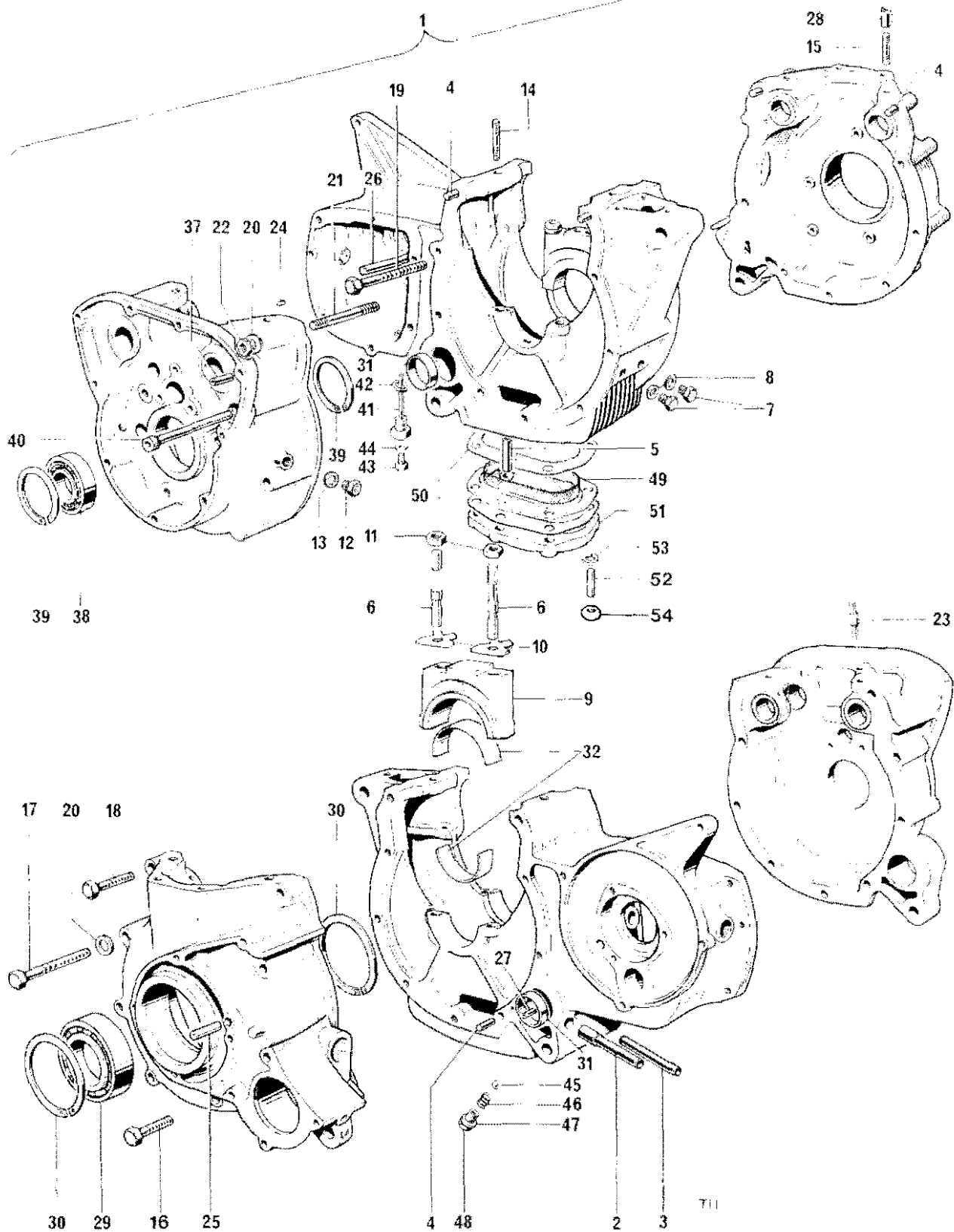


Fig. 2. CRANKCASES

Ref. No.	Part No.	DESCRIPTION	QUANTITY	REMARKS
<b>CRANKCASES</b>				
1	71-13215	CRANKCASES ... ..	1	
2	70-6573	Oil return pipe stub ... ..	1	
3	70-6574	Oil feed pipe stub ... ..	1	
4	70-8774	Dowel T.S. and D.S. ... ..	4	
5	70-6578	Scavenge tube ... ..	1	
6	70-8745	Waisted stud, main bearing cap ... ..	4	
7	14-6113	Plug, main bearing oilways ... ..	2	
8	70-8776	Washer ... ..	2	
9	71-3208	Cap, main bearing ... ..		Reference only
10	71-1129	Tab washer ... ..	4	
11	14-0303	Nut ... ..	4	
12	70-8755	Plug, timing aperture ... ..	1	
13	70-1523	Washer, timing aperture ... ..	1	
14	21-1931	Stud, cylinder base ( $1\frac{1}{2}$ in. O.A.) ... ..	4	
15	70-8738	Stud, cylinder at dowel ( $1\frac{1}{8}$ in. O.A.) ... ..	2	
16	14-6218	Clamping bolt ... ..	2	
17	14-6226	Clamping bolt ... ..	9	
18	14-6220	Clamping bolt ... ..	2	
19	14-6223	Clamping bolt ... ..	1	
20	60-4247	Washer ... ..	9	
21	14-1427	Stud, T.S. crankcase ... ..	2	
22	14-0302	Nut ... ..	2	
23	21-1912	Stud, cylinder base ... ..	4	
24	57-0912	Peg, needle roller thrust ... ..	1	
25	71-1051	Spindle, intermediate gear (oil pump) ... ..	1	
26	57-3989	Selector spindle ... ..	1	
27	70-1532	Dowel, oil pump to crankcase ... ..	1	
28	70-8751	Dowel, cylinder base ... ..	2	
29	70-1591	D.S. main bearing ... ..	1	
30	70-6025	Circlip, main bearing ... ..	2	
31	70-9856	Sleeve at 'O' ring ... ..	2	
32	70-6023	*Main Bearing Shell ... ..	4	
33	57-0989	Dowel ... ..	2	
34	70-8780	Main bearing T.S. (roller) ... ..	1	
35	70-6026	Circlip ... ..	2	
36	21-0678	Socket screw (4 in. U.H.) ... ..	1	
37	57-3851	Gearbox drain plug ... ..	1	
38	70-2441	Fibre washer ... ..	1	
39	21-0543	Level plug ... ..	1	
40	57-1257	Fibre washer ... ..	1	
41	60-2370	Non return valve ball ( $\frac{7}{16}$ in. dia.) ... ..	1	
42	70-6567	Spring ... ..	1	
43	71-2792	Joint washer (copper) ... ..	1	
44	70-6584	Plug ... ..	1	
45	70-6501	Scavenge filter ... ..	1	
46	71-1444	Gasket ... ..	2	
47	70-6580	Cover ... ..	1	
48	71-1349	Stud, sump plate ... ..	6	
49	60-2320	Spring washer ... ..	6	
50	14-0301	Nut ... ..	6	

\*Available in undersizes of 0.010", 0.020", 0.030", 0.040" (see page 7).

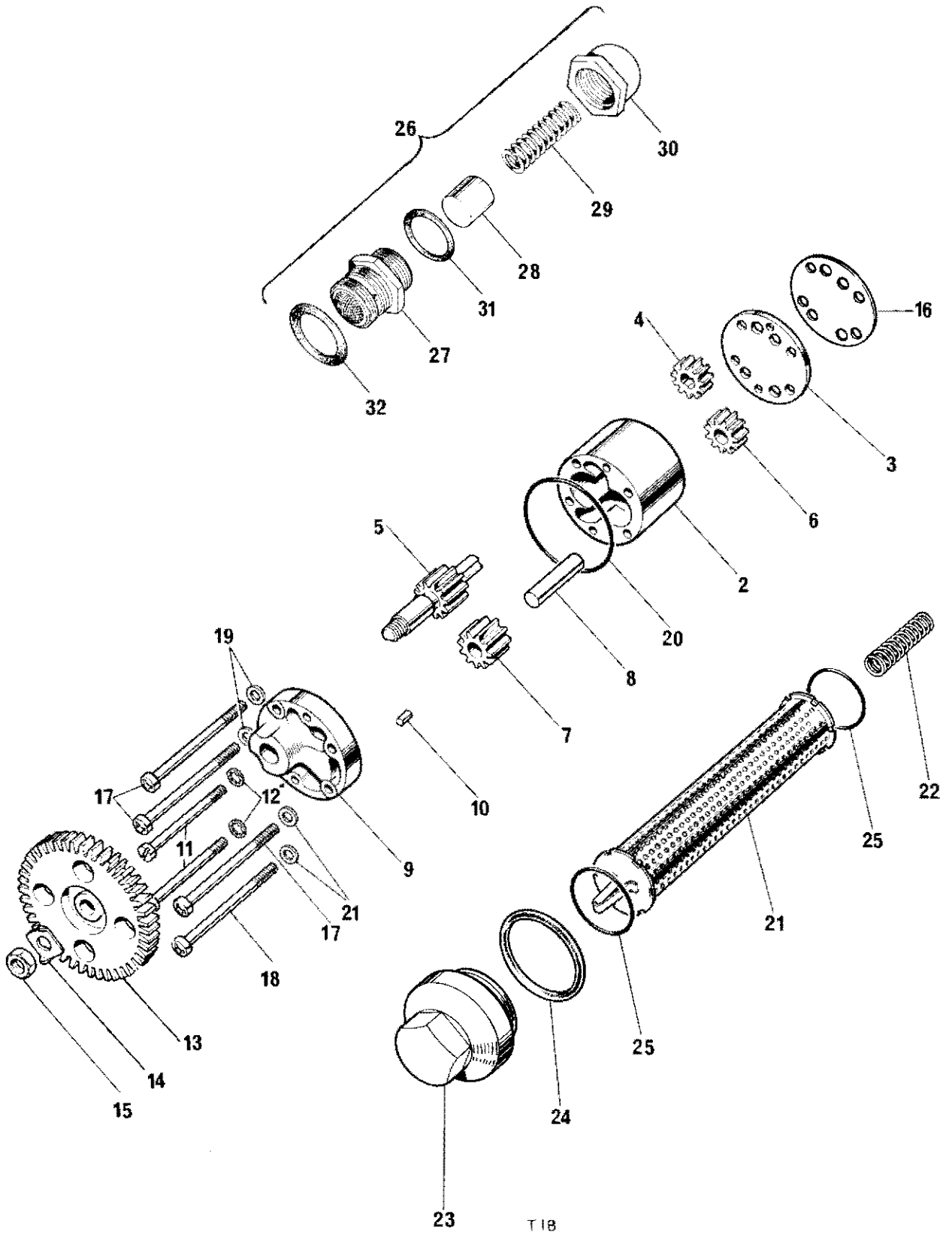


Fig. 3. OIL PUMP, RELEASE VALVE AND FILTER

**OIL PUMP RELEASE VALVE AND OIL FILTER**

1	71-1351	OIL PUMP COMPLETE	1	
2	70-6430	Oil pump, body	1	Reference only
3	70-6502	Base plate	1	
4	70-6455	Drive feed gear	1	
5	70-9887	Drive scavenge gear	1	
6	70-6038	Driven feed gear	1	
7	70-6039	Driven scavenge gear	1	
8	70-6454	Driven gear spindle	1	
9	70-9885	Cover	1	
10	70-6459	Dowel, cover to body	1	
11	21-0559	Screw, cover to body (2 in. U.H.)	2	
12	70-8731	Washer, cover to pump screw	2	
13	70-9886	Driven gear	1	
14	71-1353	Tab washer	1	
15	14-0402	Nut	1	
16	71-1442	Gasket, oil pump to crankcase	1	
17	71-0003	Screw, pump to crankcase (2½ in. U.H.)	3	
18	70-9601	Screw, pump to crankcase at dowel (2¾ in. U.H.)	1	
19	70-8732	Washer, pump to crankcase	4	
20	70-6570	Seal, pump to crankcase	1	
21	70-6571	Oil filter element	1	
22	70-6130	Spring	1	
23	71-1270	Cap	1	
24	71-1070	'O' ring	1	
25	70-8779	Filter seal	2	
Not illus.	60-2133	Oil pressure switch	1	
26	70-6595	OIL PRESSURE RELEASE VALVE	1	
27	70-7590	Body	1	Reference only
28	70-8752	Piston	1	
29	70-7591	Spring	1	
30	70-6596	Cap	1	
31	70-8754	Joint washer (cap to body)	1	
32	70-1670	Joint washer	1	

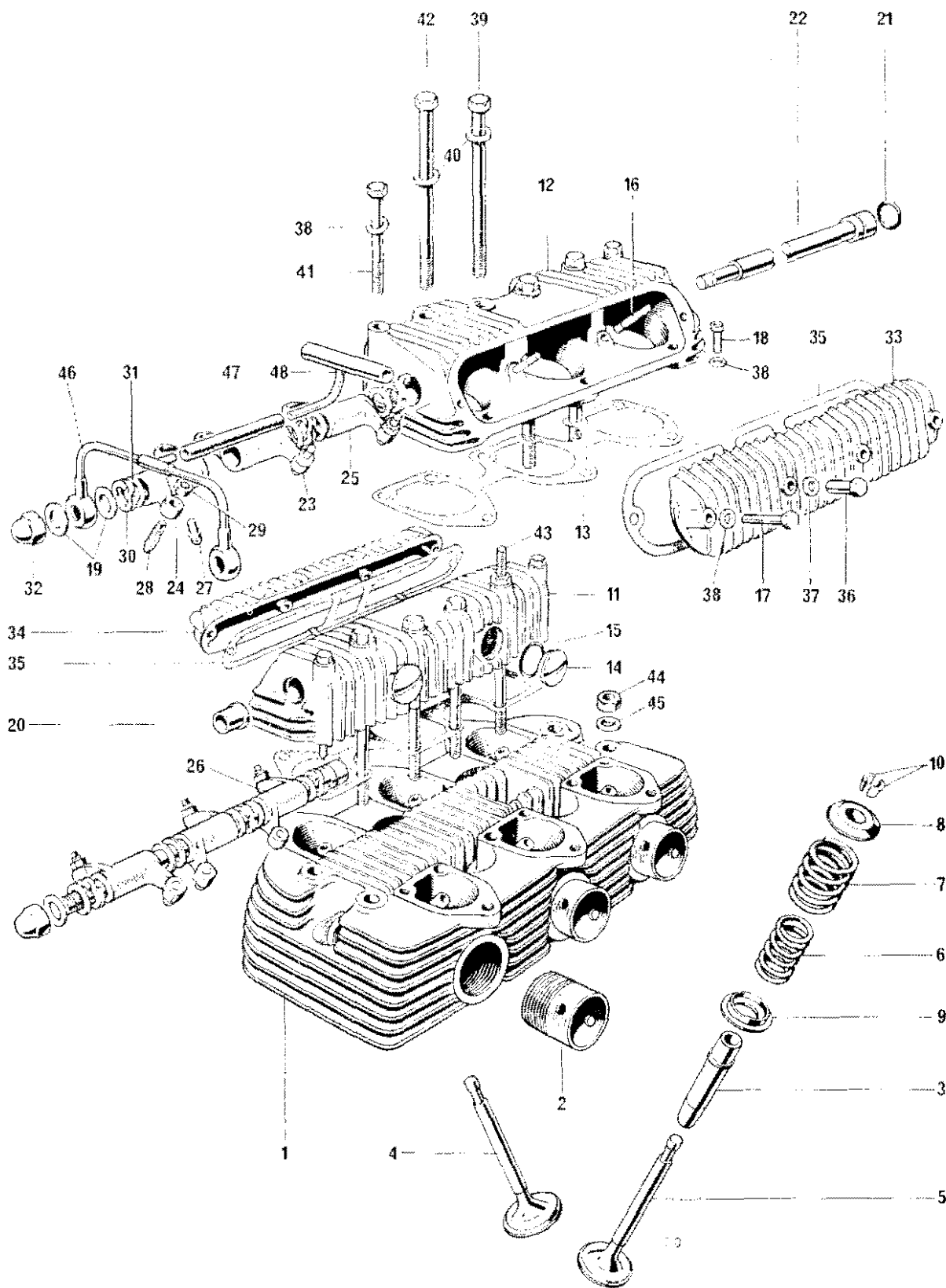


Fig. 4. CYLINDER HEAD AND ROCKER BOXES

**CYLINDER HEAD AND ROCKER BOXES**

1	70-8781	CYLINDER HEAD ... ..	1	
2	70-9510	Exhaust pipe adaptor ... ..	3	
3	70-6420	Valve guide ... ..	6	
4	71-3361	Inlet valve ... ..	3	
5	71-3362	Exhaust valve ... ..	3	
6	70-8787	Inner, valve spring (White and red paint dabs) ... ..	6	
7	70-8788	Outer, valve spring (White and red paint dabs) ... ..	6	
8	70-8720	Top collar ... ..	6	
9	70-8789	Bottom cup ... ..	6	
10	99-0062	Split cotter ... ..	12	
11	70-6561	Inlet rocker box ... ..	1	
12	70-6562	Exhaust rocker box ... ..	1	
13	70-8773	Rocker box gasket ... ..	2	
14	57-2166	Rocker box cap ... ..	4	
15	70-8782	"O" ring cap ... ..	4	
16	14-1401	Stud, rocker box cover ... ..	4	
17	14-0202	Bolt, rocker box cover ... ..	4	
18	14-7004	Screw ... ..	6	
19	70-1335	Copper washer ... ..	4	
20	70-6018	Bush, T.S. for rocker spindle ... ..	2	
21	60-3548	"O" ring, D.S. bush ... ..	2	
22	70-9558	Rocker spindle ... ..	2	
23	71-3587	ROCKER LEVER, T.S. INLET/CENTRE EXHAUST ... ..	2	
24	71-3588	ROCKER LEVER, T.S. EXHAUST/CENTRE INLET ... ..	2	
25	71-3589	ROCKER LEVER, EXHAUST D.S. ... ..	1	
26	71-3590	ROCKER LEVER, INLET D.S. ... ..	1	
27	71-0070	Ball pin ... ..	6	
28	71-3358	Adjusting pin ... ..	6	
29	14-0402	Locknut ... ..	6	
30	70-1574	Thackeray washer ... ..	6	
31	70-1575	Plain washer ... ..	12	
32	21-0550	Dome nut ... ..	2	
33	70-6564	Inspection cover, exhaust ... ..	1	
34	70-6563	Inspection cover, inlet ... ..	1	
35	71-1445	Gasket ... ..	2	
36	70-9237	Sleeve nut ... ..	4	
37	70-9239	Plain washer ... ..	4	
38	60-4245	Washer ... ..	8	
39	70-8820	Bolt, short rockerbox to barrel ( $\frac{5}{16}$ " x $4\frac{1}{4}$ ") ... ..	4	
40	70-9240	Washer ... ..	8	
41	14-6211	Bolt, rocker box to head ... ..	4	
42	70-8819	Bolt, rocker box to barrel ( $\frac{5}{16}$ " x $4\frac{1}{2}$ ") ... ..	2	
43	71-0280	Bolt, torque stay, rocker box to barrel ( $5\frac{13}{32}$ in.) ... ..	2	
44	14-0303	Nut ... ..	4	
45	82-2184	Washer ... ..	4	
46	71-1168	Rocker pipe ... ..	1	
47	71-1175	Connecting tube ... ..	1	
48	71-1172	Oil feed pipe ... ..	1	

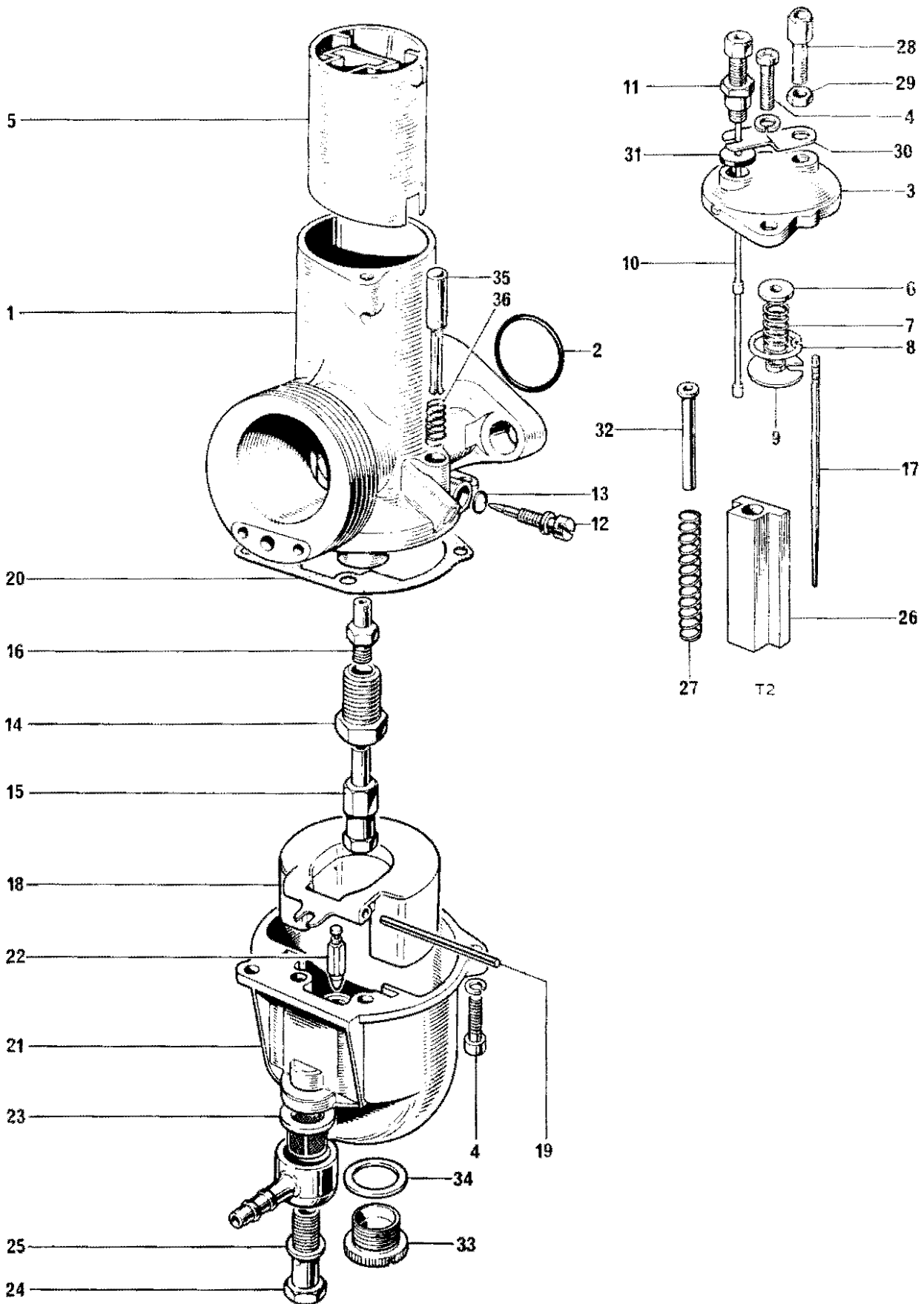


Fig. 5. CARBURETORS



Ref. No.	Part No.	DESCRIPTION	QUANTITY	REMARKS	
<b>CARBURETORS</b>					
1	60-4092	CARBURETOR R.H. (Amal R626/66) ... ..	1		
1	60-4094	CARBURETOR CENTRE (Amal R626/68) ... ..	1		
1	60-4093	CARBURETOR L.H. (Amal. L626/67) ... ..	1		
2	622/101	'O' ring seal (99-0522) ... ..	3		
3	622/097	Mixing chamber top (99-1019) ... ..	1	} Each Carburetor	
4	622/086	Screw (99-0521) ... ..	4		
5	622/060	Throttle valve (No. 3½) (99-0506) ... ..	1		
6	60-1959	Top spring abutment ... ..	1		
7	60-1960	Spring ... ..	1		
8	622/067	Needle clip (99-0510) ... ..	1		
9	60-1987	Bottom spring abutment... ..	1		
10	60-1984	Throttle rod assembly ... ..	1		
11	70-9253	Locknut ... ..	1		
12	622/076	Pilot air screw (99-0515)... ..	1		
13	622/082	Friction 'O' ring (99-0520) ... ..	1		
14	622/128	Jet holder (99-0519) ... ..	1		
15	376/100	Main jet (150) (99-1020)... ..	1		
16	622/122	Needle jet (106) (99-1035) ... ..	1		
17	622/124	Needle (Standard) (99-1036) ... ..	1		
18	622/069	Float (99-0512) ... ..	1		
19	622/071	Float spindle (99-0513) ... ..	1		
20	622/073	Joint washer (99-0514) ... ..	1		
21	622/050	Float chamber (99-0506) ... ..	1		
22	622/068	Float needle (99-0511) ... ..	1		
23	376/093	Filter (99-0438) ... ..	1		
24	622/078	Banjo bolt (99-0517) ... ..	1		
25	13/163	Fibre washer (99-1100) ... ..	1		
26	622/062	Air slide (99-1021) ... ..	1		
27	622/065	Spring (99-0509) ... ..	1		
28	4/035	Cable adjuster (99-1024) ... ..	1		
29	5/077	Locknut (99-0224)... ..	1		
30	622/125	Clip (99-1022) ... ..	1		
31	622/126	Sealing rubber (99-1023)... ..	1		
32	622/134	Air slide guide tube (99-1051) ... ..	1		
33	622/147	Drain plug (99-1152) ... ..	1		
34	622/151	Washer (99-1153) ... ..	1		
35	622/089	Tickler pin... ..	1		Reference only
36	14/032	Tickler pin spring ... ..	1		Reference only

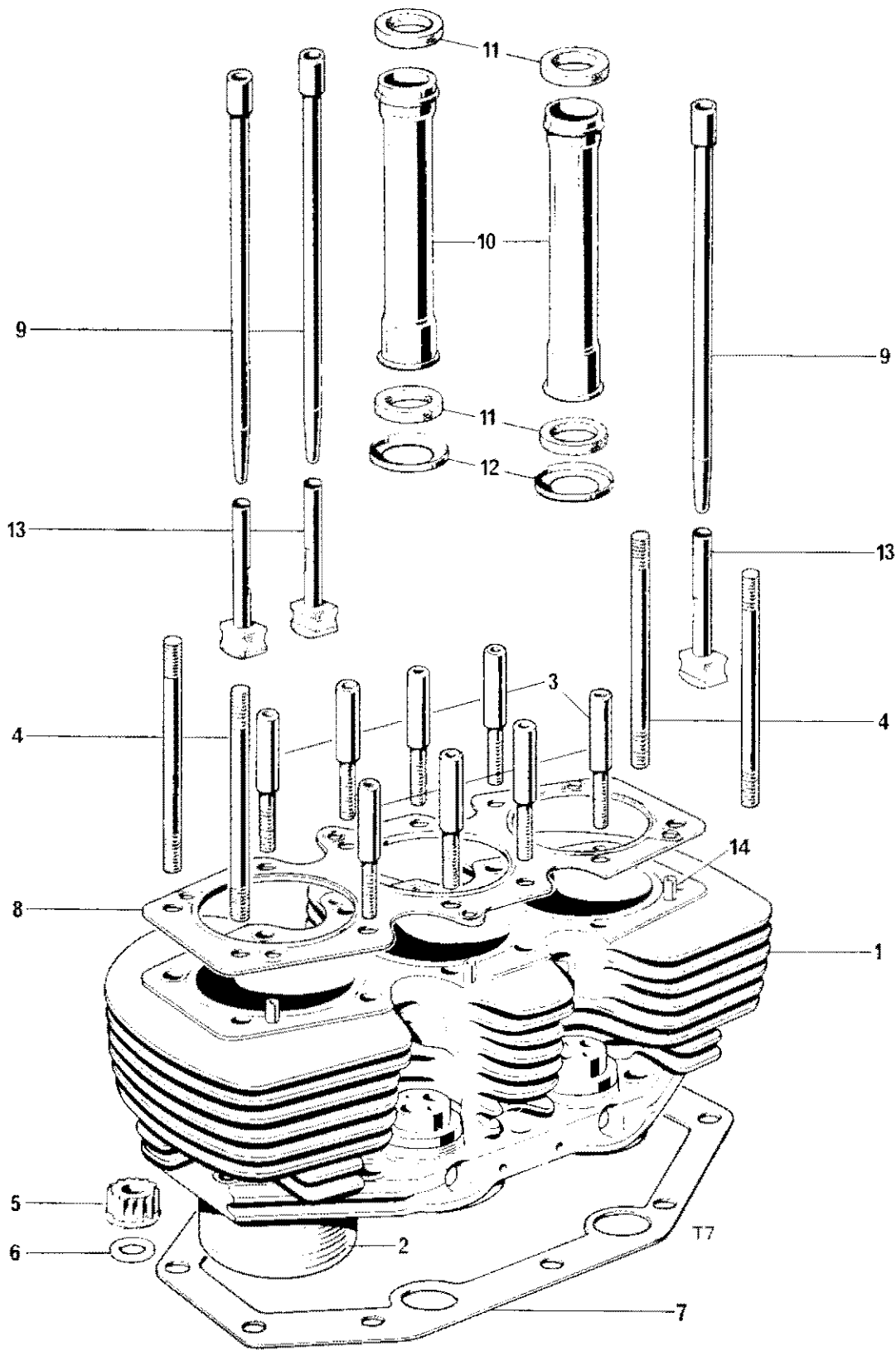


Fig. 6. CYLINDER BARREL, PUSH ROD AND TUBES, TAPPETS

**CYLINDER BARREL, PUSH RODS AND TUBES, TAPPET BLOCKS**

1	71-3209	CYLINDER BARREL C/W LINERS	...	...	...	...	1
2	70-8914	Cylinder liner	...	...	...	...	3
3	70-8817	Pillar stud	...	...	...	...	8
4	21-0686	Stud, barrel to head ( $4\frac{5}{8}$ in. O.A.)	...	...	...	...	4
5	21-0692	Base nut (12 point)	...	...	...	...	10
6	70-8770	Washer	...	...	...	...	10
7	70-6496	Cylinder base gasket	...	...	...	...	1
8	71-1733	Cylinder head gasket	...	...	...	...	1
9	71-1238	Push rod	...	...	...	...	6
10	70-6955	Push rod tube	...	...	...	...	4
11	70-4752	Sealing rubber	...	...	...	...	8
12	70-4746	Bottom cup	...	...	...	...	4
13	71-3213	Tappet	...	...	...	...	6
14	70-1532	Dowel	...	...	...	...	6
Not illus.	71-1190	Gasket, push rod cover tube	...	...	...	...	4

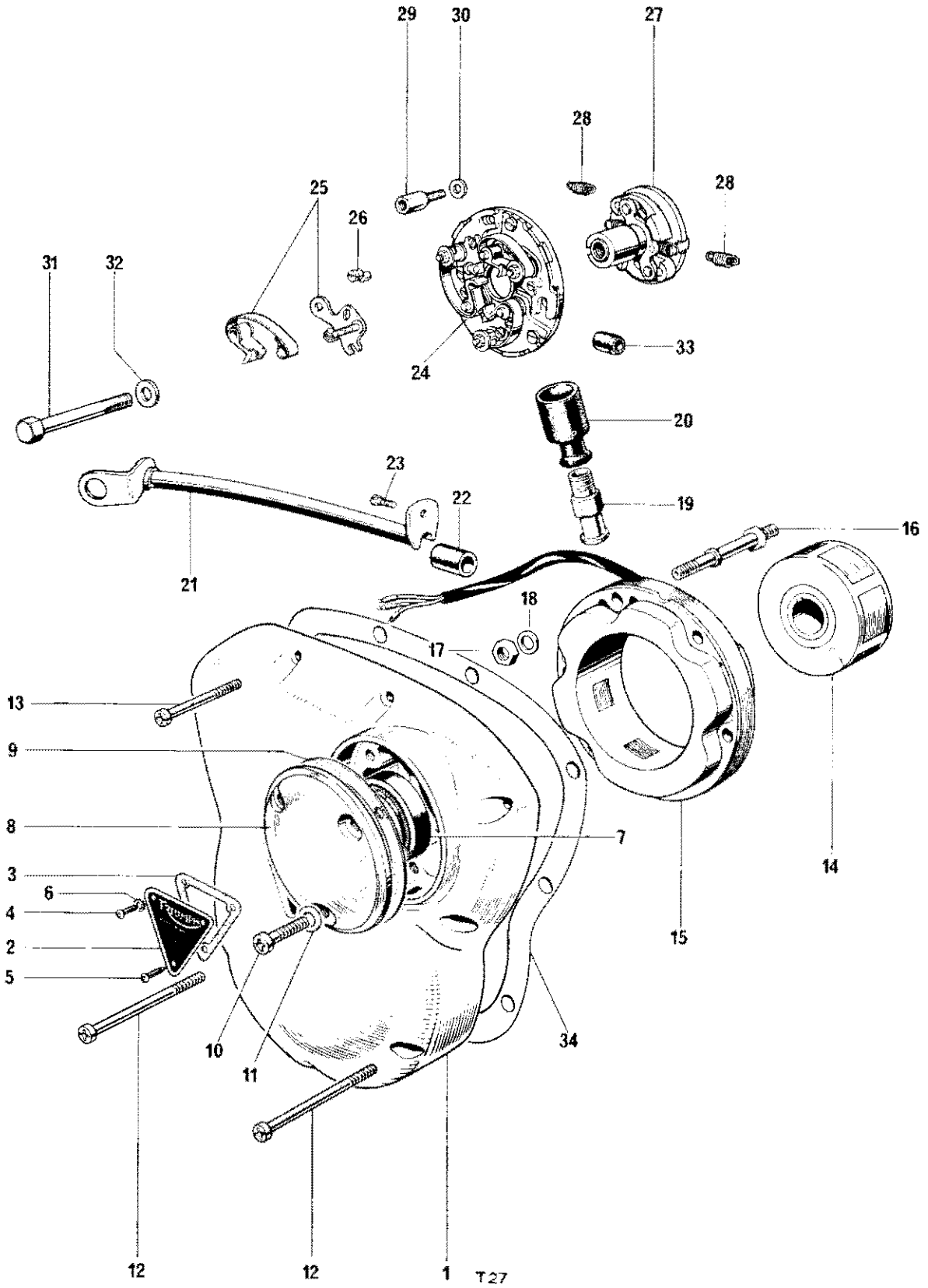


Fig. 7. TIMING COVER AND CONTACT BREAKER

Ref. No.	Part No.	DESCRIPTION	QUANTITY	REMARKS
<b>TIMING COVER AND CONTACT BREAKER</b>				
1	70-6432	Timing cover ... ..	1	
2	70-8762	Cover, timing aperture ... ..	1	
3	71-1440	Joint washer ... ..	1	
4	71-0007	Screw ( $\frac{5}{16}$ in. U.H.) ... ..	2	
5	71-0006	Pointer screw ... ..	1	
6	70-9266	Washer ... ..	3	
7	70-4568	Oil seal ... ..	1	
8	70-6519	C:B. cover ... ..	1	
9	71-1441	Gasket C:B. cover ... ..	1	
10	82-4715	Screw ( $\frac{1}{2}$ in. U.H.) ... ..	3	
11	97-0430	Washer ... ..	3	
12	14-6612	Screw ... ..	3	
13	14-6608	Screw ... ..	6	
14	54213902	Rotor (99-0739)—RM 21 ... ..	1	
15	47205	Stator (99-1016)—RM 20 ... ..	1	
16	70-6522	Stud, alternator mounting ... ..	3	
17	21-1852	Nut, alternator mounting ... ..	3	
18	60-4247	Washer ... ..	3	
19	70-8760	Cable seal nut ... ..	1	
20	70-4144	Grommet ... ..	1	
21	70-8757	Cover, alternator leads ... ..	1	
22	70-8756	Rubber ferrule ... ..	1	
23	97-0916	Screw, lead cover to crankcase ( $\frac{5}{16}$ in. U.H.) ... ..	1	
24	54419327	CONTACT BREAKER 7CA (99-1233) ... ..	1	
25	54419828	Contact set (99-1014) ... ..	3	
26	54419220	Adjusting screw (99-0769) ... ..	3	
27	54419867	AUTO ADVANCE UNIT (99-1015) ... ..	1	
28	54417992	Spring (99-1234) ... ..	2	
29	70-6521	Pillar bolt ... ..	3	
30	70-6559	Washer ... ..	3	
31	14-0208	Bolt C.B. ... ..	1	
32	70-8163	Washer ... ..	1	
33	70-8756	Grommet ... ..	1	
Not illus.	97-2123	Distance piece, stator ... ..	6	
34	71-1350	Gasket timing cover ... ..	1	
Not illus.	60-3748	Transfer "5 speed" ... ..	1	

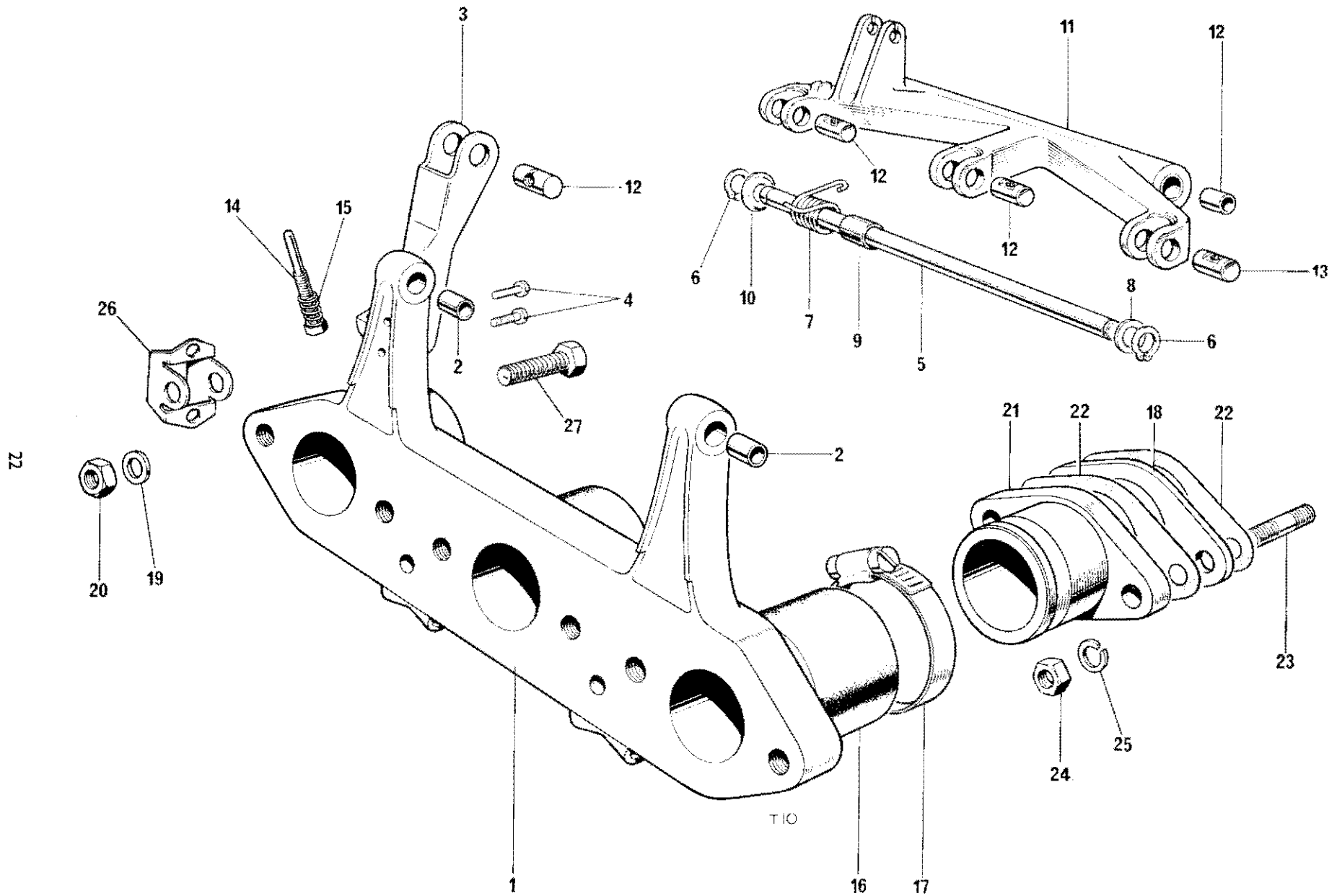


Fig. 8. MANIFOLD AND THROTTLE LINKAGE

Ref. No.	Part No.	DESCRIPTION	QUANTITY	REMARKS
----------	----------	-------------	----------	---------

### MANIFOLD AND THROTTLE LINKAGE

1	71-1303	ADAPTOR c/w BUSHES	1	
2	70-9073	Bush	2	
3	70-9242	Support arm	1	
4	21-1930	Screw self-tapping	2	
5	70-9251	Spindle	1	
6	70-9255	Circlip	2	
7	71-3311	Return spring	1	
8	71-0245	Washer	1	
9	70-9820	Spacer	1	
10	70-9821	Retaining cup	1	
11	70-9278	Operating arm	1	
11A	70-9073	Bush	2	
12	70-9243	Trunnion	4	
13	70-9252	Screw	1	
14	70-9254	Spring	1	
15	70-9060	Rubber sleeve	3	
16	60-0707	Jubilee type clip	6	
17	70-8981	Insulating block	3	
18	14-1619	Stud cylinder head	6	
19	60-4247	Washer	6	
20	14-1302	Nut, carburetter fixing	6	
21	70-9057	Stub, cylinder head	3	
22	71-1446	Joint washer, stub to head	5	
23	21-0557	Stud (1 $\frac{5}{32}$ " O.A.)	6	
24	14-1301	Nut, cylinder head	6	
25	60-4248	Washer	6	
26	83-3655	Bracket, air control lever	1	
27	14-0218	Bolt	1	
Not illus.	71-3312	Spring, carbureter slide	3	

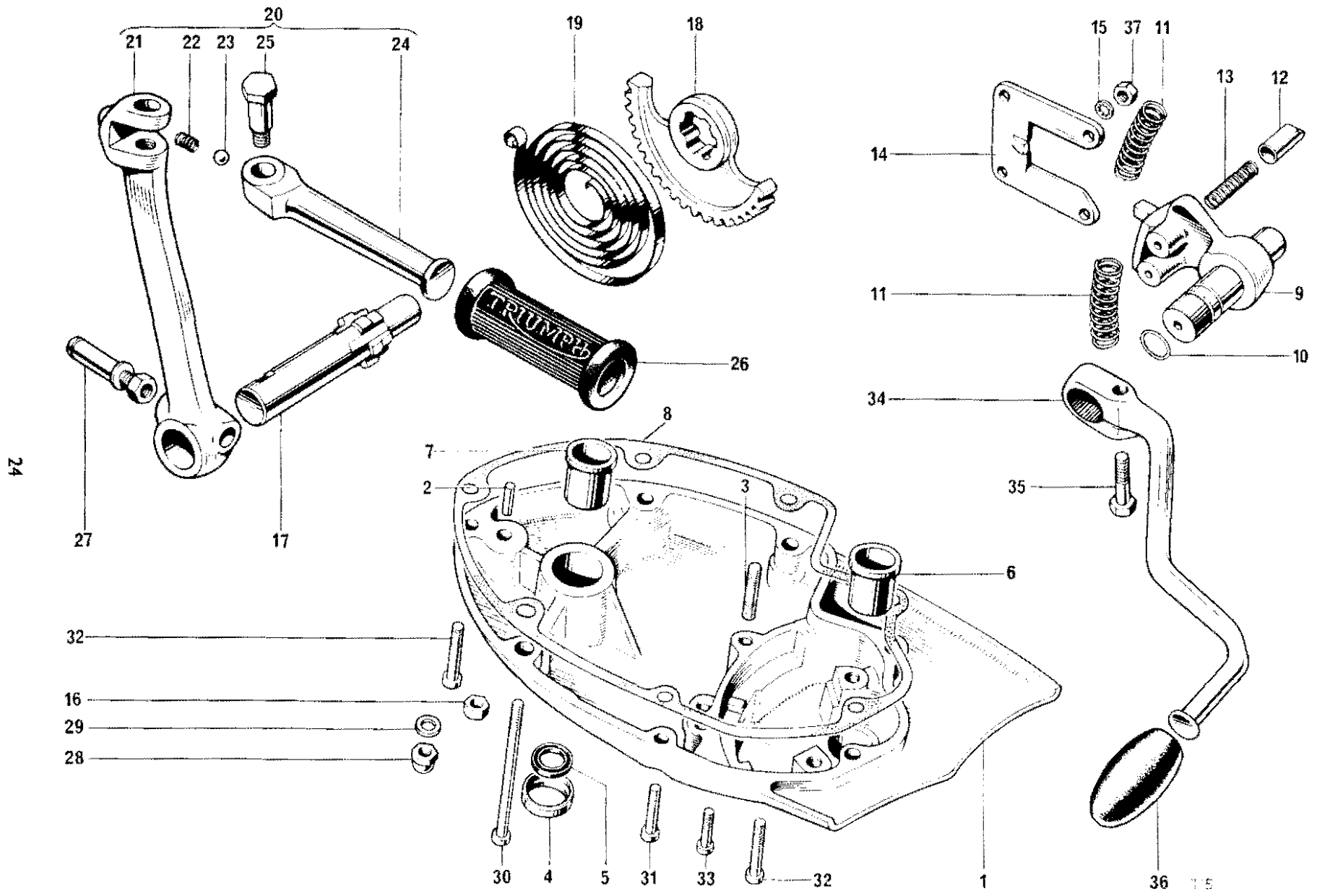
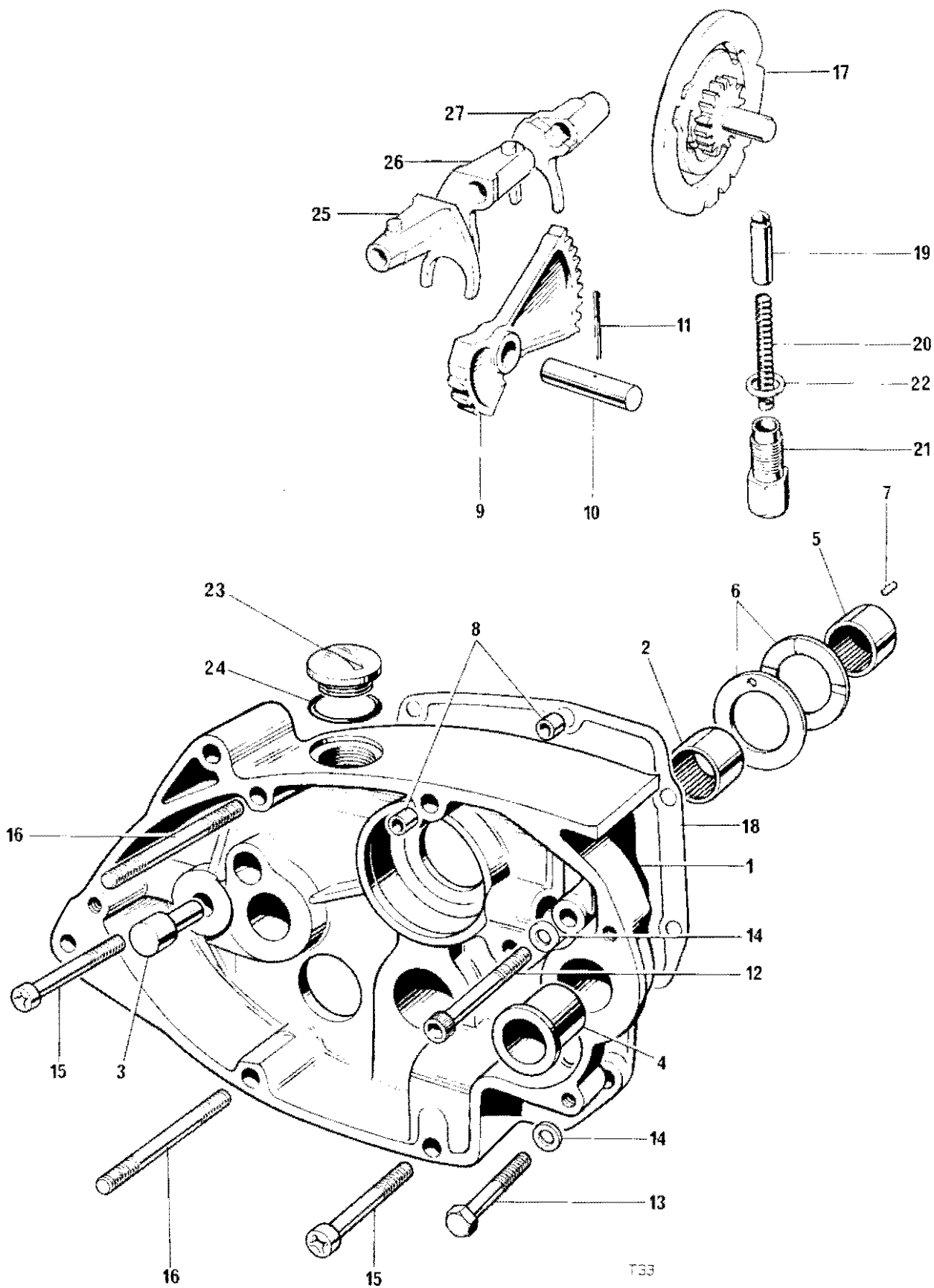


Fig. 9. GEARBOX OUTER COVER



**GEARBOX OUTER COVER**

1	57-3750	GEARBOX OUTER COVER	...	...	...	...	...	1
2	57-0047	Kickstart anchor peg	...	...	...	...	...	1
3	21-0547	Stud guide plate ( $\frac{1}{8}$ in. O.A.)	...	...	...	...	...	4
4	57-1955	Housing, oil seal	...	...	...	...	...	1
5	57-1956	Oil seal	...	...	...	...	...	1
6	57-0057	Bush (F/C Spindle)	...	...	...	...	...	1
7	57-0023	Bush (K/S Spindle)	...	...	...	...	...	1
8	71-1448	Gasket, outer to inner gearbox	...	...	...	...	...	1
9	57-4374/408	Plunger quadrant	...	...	...	...	...	1
10	60-3530	Sealing Ring	...	...	...	...	...	1
11	57-0404	Spring	...	...	...	...	...	2
12	57-4403	Plunger	...	...	...	...	...	2
13	57-0405	Spring	...	...	...	...	...	2
14	57-0407	Guide plate	...	...	...	...	...	1
15	70-1612	Washer	...	...	...	...	...	4
16	14-1302	Nut	...	...	...	...	...	4
17	57-0024	Kickstart axle shaft	...	...	...	...	...	1
18	57-4117	Kickstart quadrant	...	...	...	...	...	1
19	57-0031	Kickstart return spring	...	...	...	...	...	1
20	57-3632	FOLDING KICKSTART COMPLETE	...	...	...	...	...	1
21	57-2173	Crank	...	...	...	...	...	1
22	57-1167	Spring	...	...	...	...	...	1
23	60-2364	Ball, $\frac{1}{4}$ in. dia.	...	...	...	...	...	1
24	57-1272	Pedal	...	...	...	...	...	1
25	21-0541	Pivot bolt	...	...	...	...	...	1
26	57-2330	Rubber	...	...	...	...	...	1
27	57-4356	Cotter pin c/w nut and washer	...	...	...	...	...	1
28	21-0544	Domed nut outer cover	...	...	...	...	...	2
29	60-4247	Washer	...	...	...	...	...	2
30	21-2140	Screw, outer cover long	...	...	...	...	...	1
31	14-6609	Screw, outer cover	...	...	...	...	...	1
32	14-6610	Screw, outer cover	...	...	...	...	...	2
33	14-6608	Screw, outer cover	...	...	...	...	...	1
34	57-3751	Gearchange pedal	...	...	...	...	...	1
35	14-0201	Pinch bolt	...	...	...	...	...	1
36	57-2450	Rubber	...	...	...	...	...	1
37	14-0301	Nut	...	...	...	...	...	4



**Fig. 10. GEARBOX INNER COVER AND SELECTORS**

Ref. No.	Part No.	DESCRIPTION	QUANTITY	REMARKS
<b>GEARBOX INNER COVER AND SELECTORS</b>				
1	57-4327	INNER COVER ... ..	1	
2	57-1614	Layshaft Bearing ... ..	1	
3	57-0045	Kickstart stop ... ..	1	
4	57-0412	Bush (F/C spindle) ... ..	1	
5	57-1606	Layshaft, needle roller bearing ... ..	1	
6	57-1607	Thrust washer ... ..	2	
7	57-0912	Peg, L/S thrust washer ... ..		(Also in crank-case group)
8	57-0989	Dowel, inner to outer cover ... ..	2	
9	57-4363	Quadrant ... ..	1	
10	57-1896	Quadrant spindle ... ..	1	
11	—	Split pin (5/64 in. x 1 $\frac{3}{8}$ in.) ... ..		Reference only
12	14-7101	Socket screw ... ..	1	
13	14-6121	Bolt, inner cover to crankcase ... ..	1	
14	70-3446	Washer, inner cover to crankcase ... ..	2	
15	21-1917	Screw inner cover to crankcase ... ..	2	
16	14-1431	Stud, gearbox cover ... ..	2	
17	57-4624	Camplate ... ..	1	
18	71-1447	Gasket, inner cover to crankcase ... ..	1	
19	57-3660	Plunger ... ..	1	
20	57-4459	Plunger spring ... ..	1	
21	57-4400	Plunger sleeve nut ... ..	1	
22	57-3978	Washer ... ..	1	
23	57-2166	Filler cap ... ..	1	
24	70-8782	"O" ring ... ..	1	
25	57-4364	Selector fork - m/s 4th gear ... ..	1	
26	57-4366	Selector fork - 1/s 3rd gear ... ..	1	
27	57-4660	Selector fork - 1/s 1st gear ... ..	1	

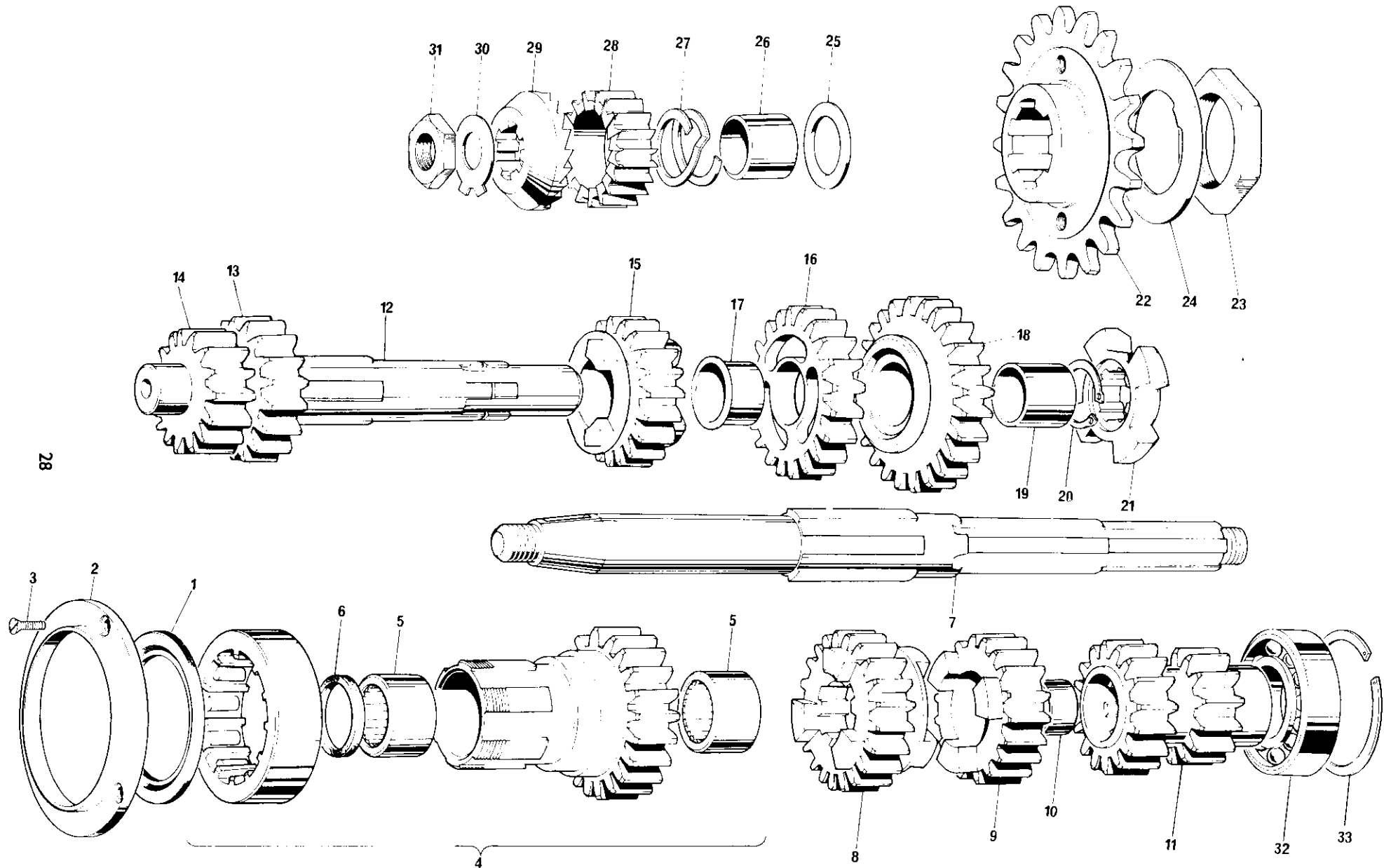


Fig. 11. GEARBOX SHAFTS AND GEARS

Ref. No.	Part No.	DESCRIPTION	QUANTITY	REMARKS
<b>GEARBOX SHAFTS AND GEARS</b>				
1	60-3510	Oil seal ... ..	1	
2	57-4394	Housing – oil seal housing ... ..	1	
3	21-2106	Screw ... ..	3	
4	57-4628	MAINSHAFT HIGH GEAR ASSEMBLY (c/w bearing) ... ..	1	
5	60-3511	Needle Roller bearing ... ..	2	
6	60-3500	Oil Seal ... ..	1	
7	57-4370	Mainshaft ... ..	1	
8	57-4376	Mainshaft 4th gear ... ..	1	
9	57-4377	MAINSHAFT 3rd GEAR ... ..	1	
10	57-4575	Bush ... ..	1	Reference only
11	57-4653	Mainshaft 1st and 2nd gear ... ..	1	
12	57-4548	Layshaft ... ..	1	
13	57-4384	Layshaft, 4th gear ... ..	1	Reference only
14	57-4550	Layshaft high gear ... ..	1	Reference only
15	57-4647	Layshaft 3rd gear ... ..	1	
16	57-4657	LAYSHAFT 2nd GEAR ... ..	1	
17	57-4662	Bush ... ..	1	
18	57-4654	LAYSHAFT 1st GEAR ... ..	1	
19	57-4663	Bush ... ..	1	
20	60-3494	Circlip ... ..	1	
21	57-4661	Driving dog ... ..	1	
22	57-4398	Gearbox sprocket – 18T ... ..	1	
23	57-4396	Locknut ... ..	1	
24	57-4395	Lock washer ... ..	1	
25	57-1962	Washer ... ..	1	
26	57-1963	Pinion sleeve ... ..	1	
27	57-1250	Pinion spring ... ..	1	
28	57-0730	Kickstart pinion ... ..	1	
29	57-0731	Kickstart ratchet ... ..	1	
30	57-2240	Tab washer ... ..	1	
31	21-0594	Nut ... ..	1	
32	60-3552	Mainshaft bearing ... ..	1	
33	57-4113	Bearing Circlip ... ..	1	

N.B. High gear bearing not available as a separate item

30

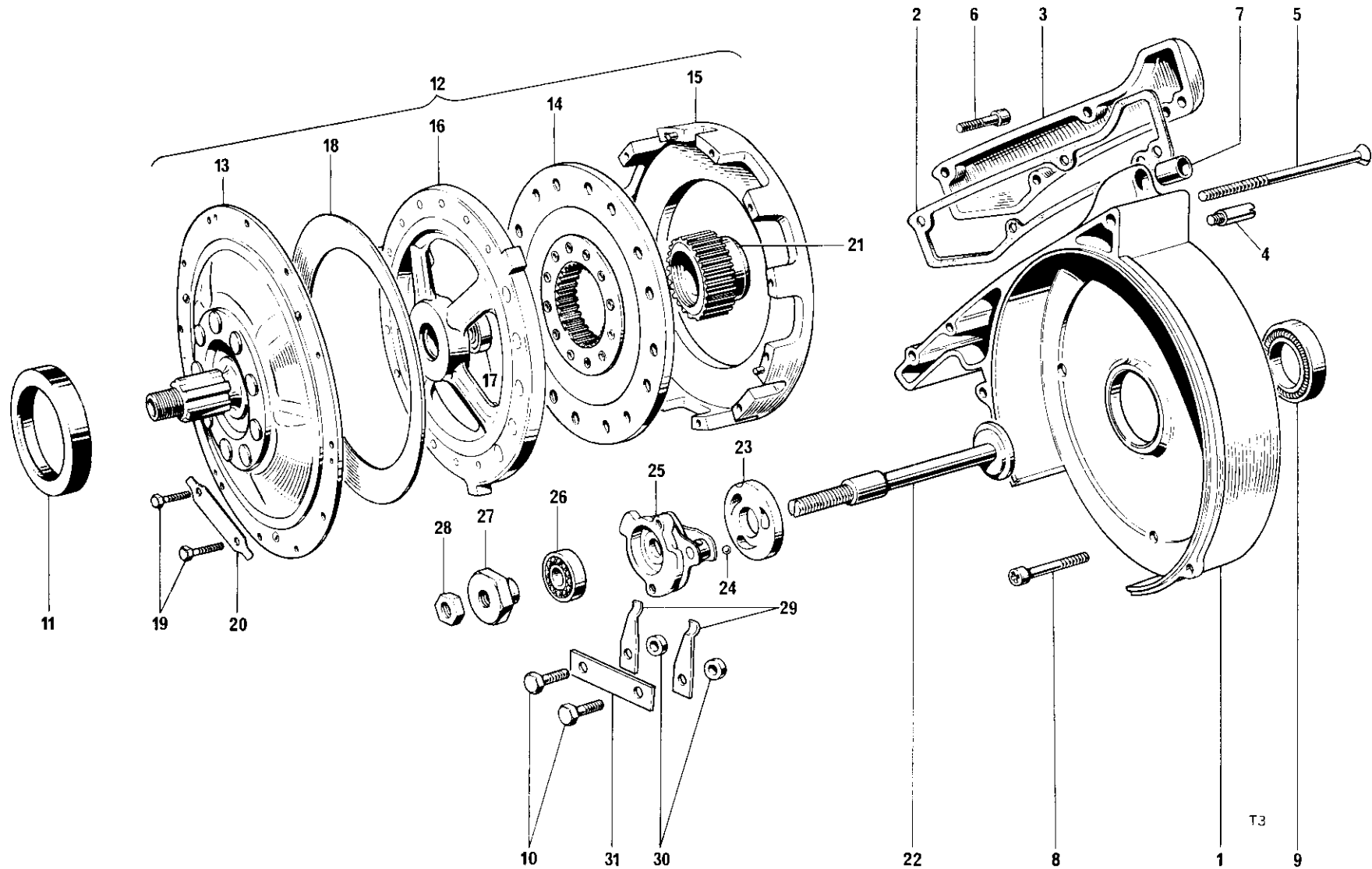


Fig. 12. CLUTCH AND CLUTCH OPERATING MECHANISM

**CLUTCH AND CLUTCH OPERATING MECHANISM**

1	57-2554	Clutch cover ... ..	1	
2	71-1452	Joint washer ... ..	1	
3	57-2555	Cover, breather duct ... ..	1	
4	57-3756	Adaptor ... ..	1	
5	14-6515	Screw, long, cover to crankcase (4 in. U.H.)	1	
6	21-0680	Screw, short, cover to crankcase ( $\frac{1}{8}$ in.)	3	
7	57-2557	Tube ... ..	1	
8	14-6610	Screw cover to crankcase ... ..	3	
9	57-3642	Oil seal cover to mainshaft ... ..	1	
10	14-6102	Bolt ... ..	2	
11	57-3642	Oil seal clutch shaft ... ..	1	
12	57-2562	CLUTCH ASSEMBLY (BORG & BECK 76183)	1	
13	57-3705	End cover, assembly (BORG & BECK 76169)	1	
14	57-3709	Driven plate assembly (BORG & BECK 53273)	1	
15	57-3708	Drive ring (BORG & BECK 76167)	1	
16	57-3715	Pressure plate (BORG & BECK 76184)	1	
17	57-3717	Thrust bearing (BORG & BECK 76168)	1	
18	57-3718	Diaphragm spring red (BORG & BECK 75303/13)	1	
19	57-3719	Bolt end cover to housing (BORG & BECK K26904)	12	
20	57-3720	Tab washer, end cover to housing (BORG & BECK 76170)	6	
21	57-2580	Clutch hub ... ..	1	
22	57-2552	Pull rod clutch release ... ..	1	
23	57-2465	Thrust plate inner ... ..	1	
24	60-2364	Ball, $\frac{1}{4}$ in. dia. ... ..	3	
25	57-2547	Clutch lever complete ... ..	1	
26	57-3647	Bearing, outer thrust plate ... ..	1	
27	57-2553	Sleeve nut ... ..	1	
28	14-0402	Locknut ... ..	1	
29	57-2473	Spring, outer thrust plate ... ..	2	
30	57-3638	Distance piece, outer thrust plate ... ..	2	
31	57-2474	Tab washer ... ..	1	

32

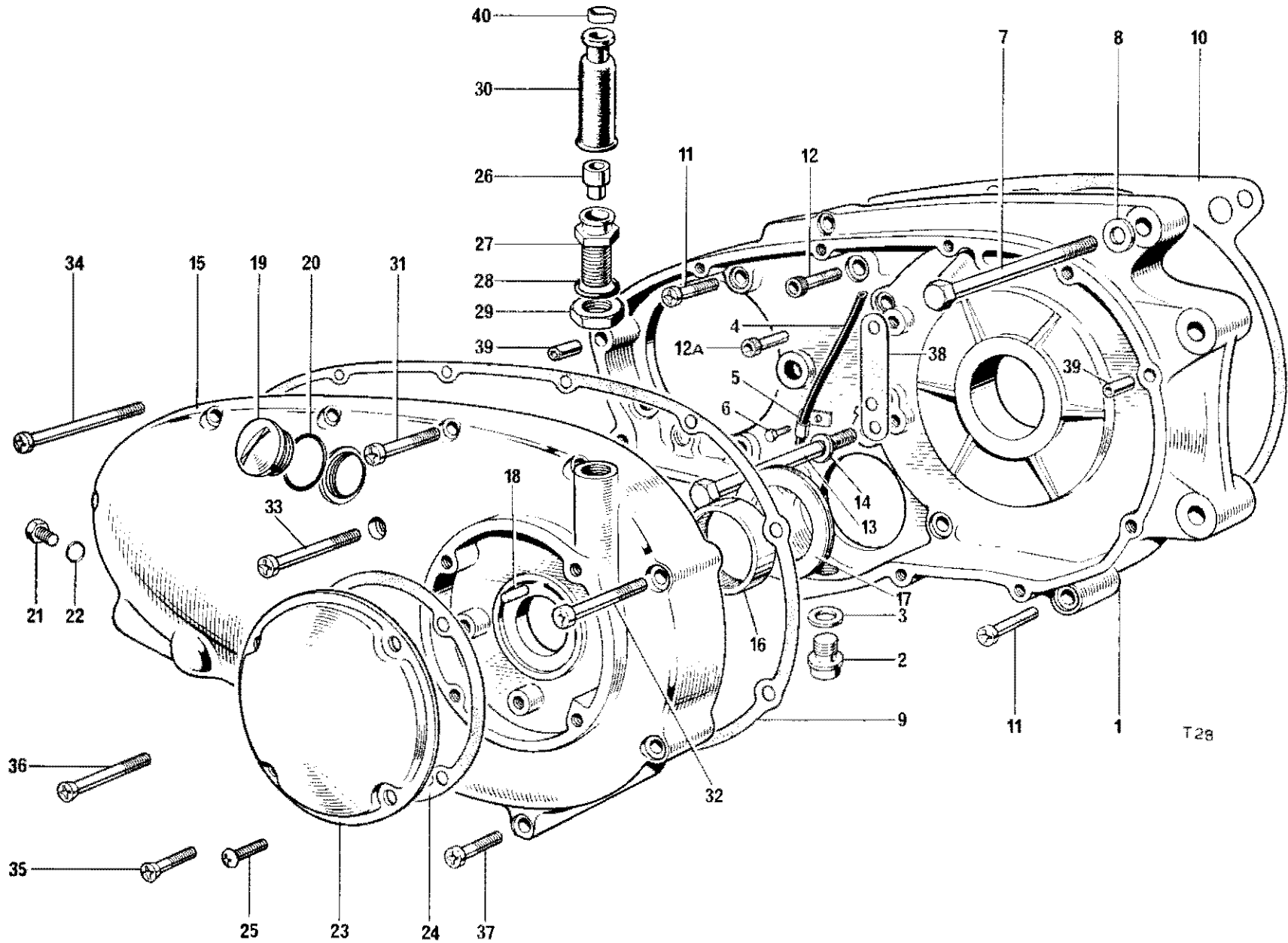
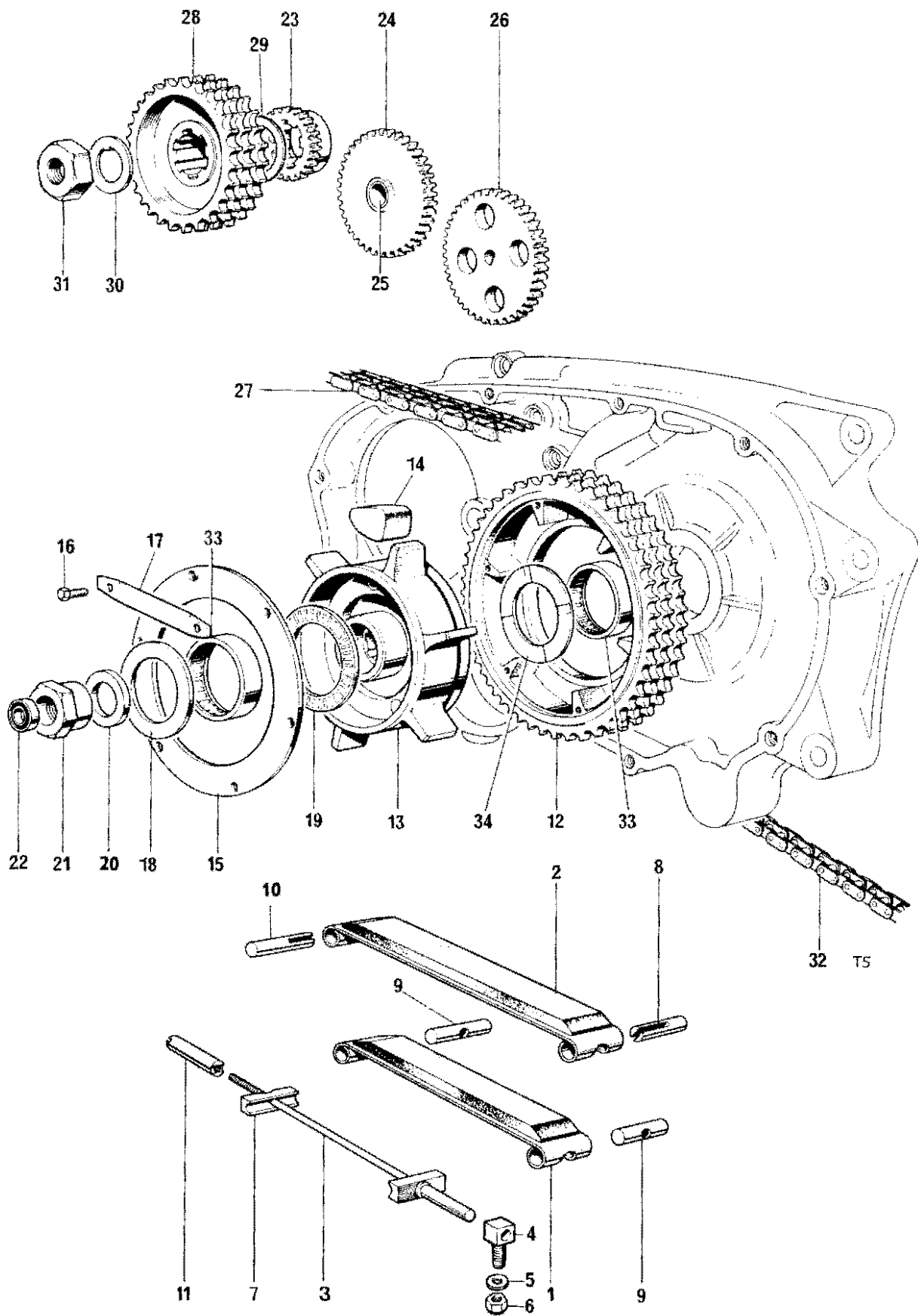


Fig. 13. INNER AND OUTER CHAINCASE



**INNER AND OUTER CHAINCASE**

1	57-4018	Inner primary chaincase	1	
2	21-0536	Drain plug	1	
3	70-0402	Washer	1	
4	70-8786	Tube, chain oiler	1	
5	70-4705	Clip, chain oiler—tube	1	
6	14-6101	Bolt, clip...	1	
7	21-1820	Bolt, long	1	
8	60-4247	Washer	1	
9	71-1454	Gasket inner to outer chaincase	1	
10	71-1453	Gasket inner case to crankcase	1	
11	14-6606	Screw, short	2	
12	14-7006	Socket screw	7	
12A	14-7004	Socket screw	1	
13	21-1819	Bolt	1	
14	60-4247	Washer	1	
15	57-3958	OUTER PRIMARY CHAINCASE	1	
16	57-3643	Needle roller bearing	1	
17	57-2215	Thrust washer	1	
18	57-0912	Peg, thrust plate	1	
19	57-2166	Filler plug	1	
20	70-8782	"O" ring	1	
21	57-2259	Tensioner adjuster plug	1	
22	57-3733	"O" ring	1	
23	57-3954	Inspection cover	1	
24	71-1449	Inspection cover gasket	1	
25	14-6605	Screw, inspection cover	4	
26	57-2220	Clutch cable abutment	1	
27	57-1645	Adaptor	1	
28	57-3733	Sealing Ring	1	
29	21-0567	Locknut	1	
30	57-1646	Rubber cap	1	
31	14-6611	Screw, outer to inner chaincase	6	
32	14-6612	Screw, outer to inner chaincase	1	
33	14-6613	Screw, long outer to inner chaincase	2	
34	14-6615	Screw, outer to inner chaincase	1	
35	14-6504	Screw, short countersunk	2	
36	14-6509	Screw, longer countersunk	1	
37	14-6610	Screw, short, chaincase	1	
38	71-2793	Joint washer	1	
39	57-0989	Dowel	2	
40	57-4194	Clip, clutch cable	1	
Not illus.	60-3748	Transfer "5 Speed"	1	



**Fig. 14. PRIMARY TRANSMISSION AND OIL PUMP DRIVE**

**PRIMARY TRANSMISSION AND OIL PUMP DRIVE**

1	57-3610	Tensioner blade ... ..	1	
2	70-6061	Tensioner blade ... ..	1	
3	57-3983	Tie rod ... ..	1	
4	57-3986	Eye bolt ... ..	1	
5	57-3987	Washer ... ..	1	
6	14-1901	Nut ... ..	1	
7	70-9258	Saddle washer ... ..	2	
8	70-9256	Trunnion ... ..	1	
9	70-5977	Trunnion ... ..	2	
10	57-3614	Pivot pin... ..	1	
11	57-3617	Adjuster nut ... ..	1	
12	57-4225	Clutch sprocket (50T) ... ..	1	
13	57-4621	Spider ... ..	1	
14	57-4324	Shock absorber rubber ... ..	12	
15	57-4004	Retaining plate ... ..	1	
16	57-3940	Bolt, retaining plate ... ..	6	
17	57-3941	Tab washer ... ..	3	
18	57-2215	Outer thrust washer, clutch shaft ... ..	1	
19	57-3646	Thrust race ... ..	1	
20	57-2478	Spacer, shock absorber nut ... ..	1	
21	57-2480	Nut ... ..	1	
22	57-3644	Oil seal ... ..	1	
23	70-7248	Driven gear ... ..	1	
24	70-7246	INTERMEDIATE GEAR C/W BUSH ... ..	1	
25	70-6885	Bush ... ..	1	
26	*70-9886	Oil pump driven gear ... ..	1	
27	60-0699	Primary chain, triple row, 82 links ... ..	1	
28	70-6890	Engine sprocket (28T) ... ..	1	
29	70-8038	Shim, engine sprocket (0-010 in. thick) ... ..	as required	
29	71-2660	Shim, engine sprocket (0-030 in. thick) ... ..	as required	
30	70-8785	Tab washer ... ..	1	
31	21-0585	Nut, engine sprocket ... ..	1	
32	60-2118	Rear chain 107 links ... ..	1	
32	60-1915	Rear chain, 106 links ... ..	Available	
33	57-3643	Needle race ... ..	2	
34	57-2214	Thrust washer, inner ... ..	1	

\*Also listed on page 13

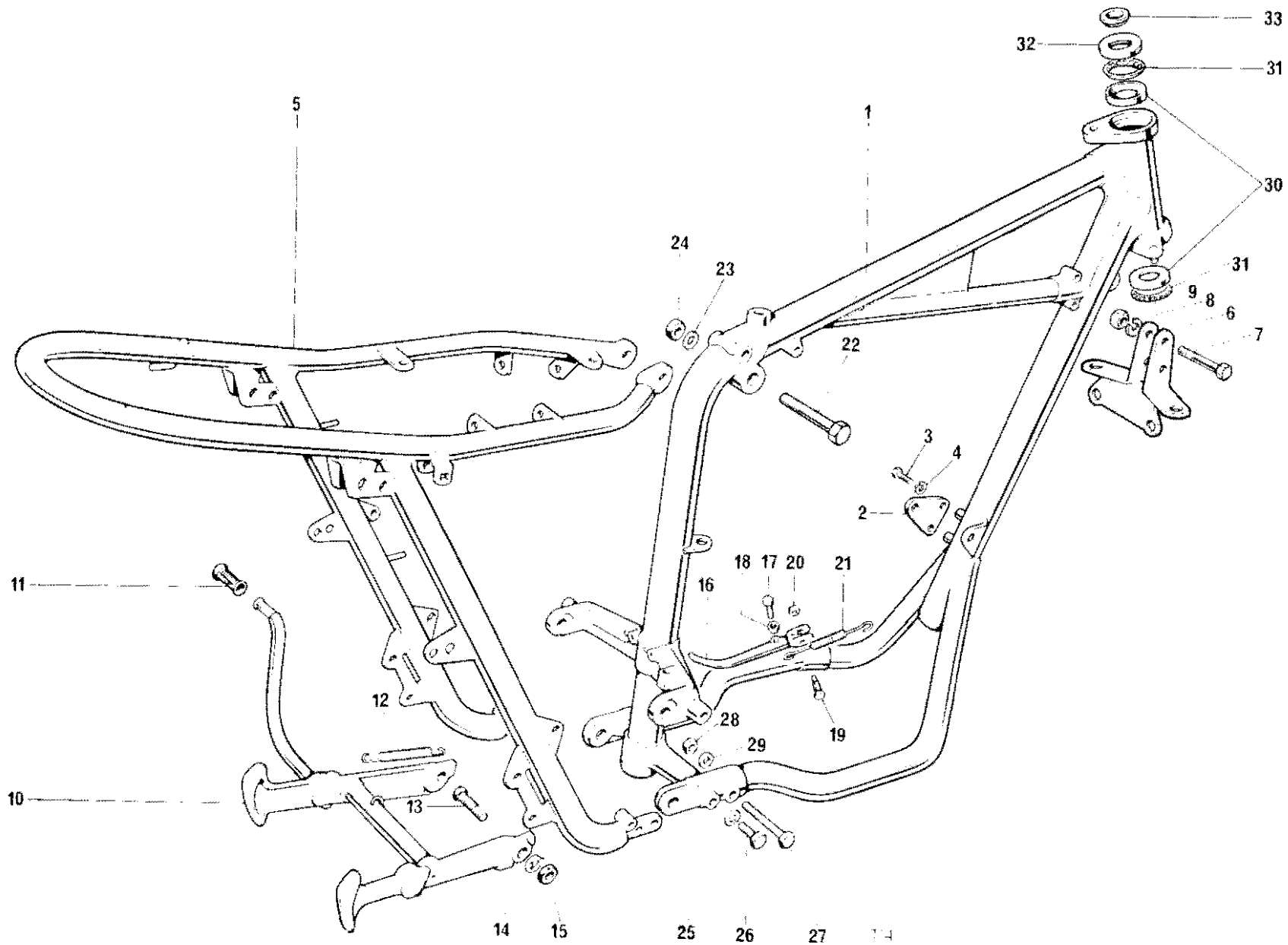


Fig. 15. FRAME

Ref. No.	Part No.	DESCRIPTION	QUANTITY	REMARKS
<b>FRAME</b>				
1	83-3218	Front Frame ... ..	1	
Not illus.	82-7155	Lock stops ... ..	2	
2	82-7159	Front D.S. engine plate ... ..	1	
3	14-0126	Bolt ... ..	2	
4	60-4259	Spring washer ... ..	2	
5	83-3219	Rear frame ... ..	1	
6	83-2024	Mounting bracket, petrol tank ... ..	1	
7	21-1805	Bolt ... ..	2	
8	60-4260	Washer ... ..	2	
9	14-0402	Nut ... ..	2	
10	83-1267	Centre stand ... ..	1	
11	57-2331	Pedal rubber ... ..	1	
12	82-4671	Spring ... ..	1	
13	21-1978	Pivot bolt ... ..	2	
14	83-1270	Tab washer ... ..	2	
15	14-0404	Nut ... ..	2	
16	83-1560	Prop stand ... ..	1	
17	14-0113	Bolt ... ..	1	
18	14-0402	Nut ... ..	1	
19	82-7021	Swivel pin ... ..	1	
20	14-0703	Nut, swivel pin ... ..	1	
21	82-8382	Spring ... ..	1	
22	14-0241	Bolt, top rear to front frame ... ..	1	
23	60-4246	Washer ... ..	2	
24	14-1303	Nut ... ..	1	
25	99-0046	Spring Washer ... ..	2	
26	21-0588	Bolt, bottom rear to front frame ... ..	2	
27	14-0251	Bolt, front rear to front frame ... ..	2	
28	14-1304	Nut ... ..	2	
29	82-4370	Washer ... ..	2	
30	97-0111	Cup, top and bottom steering race ... ..	2	
31	97-4034	Steering head race ... ..	2	
32	97-1018	Top cone (c/w dust cover) ... ..	1	
33	97-4145	Steering stem collar (top) ... ..	1	
Not illus.	60-2452	Transfer "Safety Standards" ... ..	1	

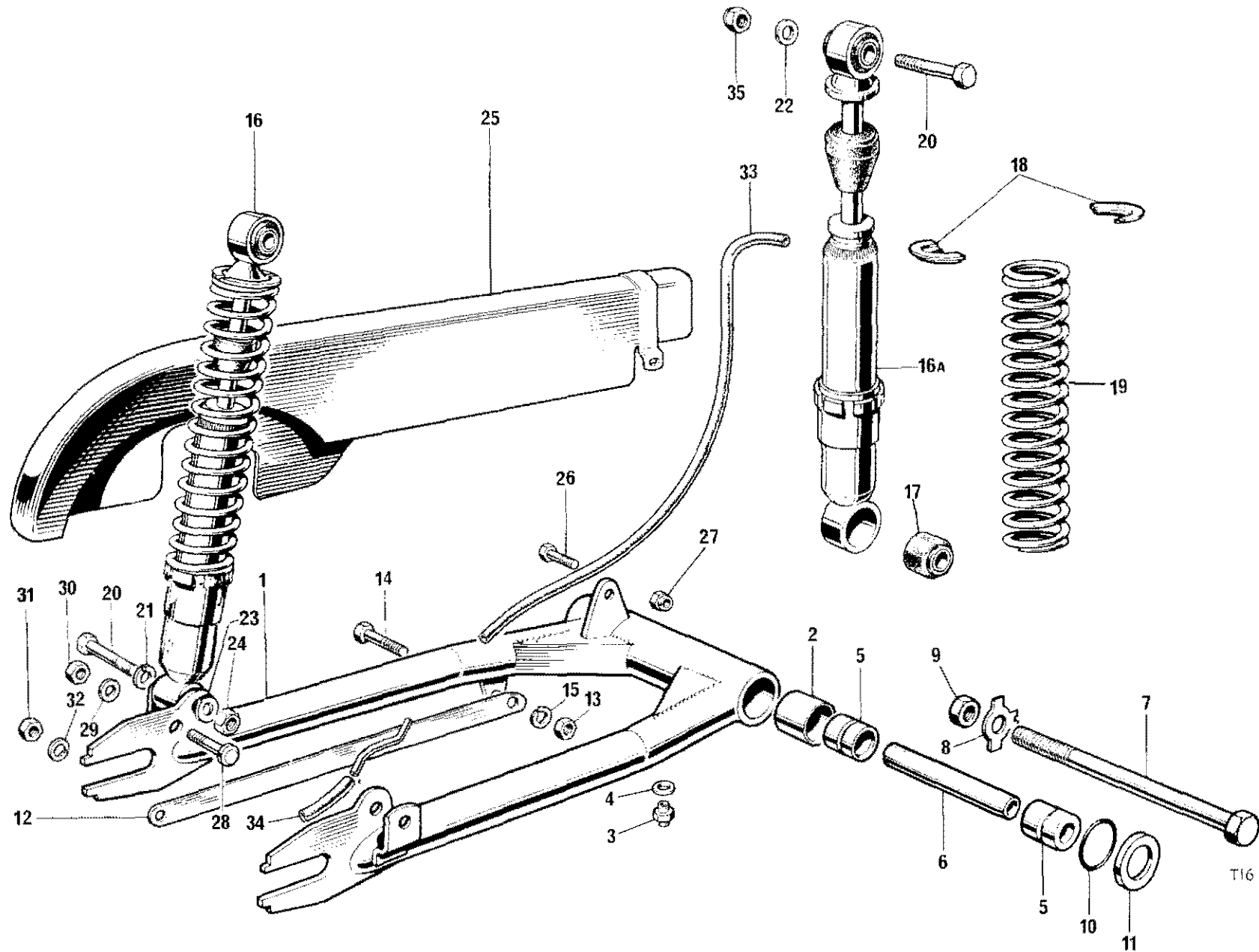


Fig. 16 SWINGING FORK AND SUSPENSION UNITS

T16

**SWINGING FORK AND SUSPENSION UNITS**

1	83-3233	SWINGING FORK	1	
2	82-6042	Bush	2	
3	60-1841	Grease nipple	1	
4	60-1841	Fibre washer	1	
5	82-6821	Bobbin	2	
6	82-5313	Distance tube	1	
7	21-0620	S/arm bolt	1	
8	82-5944	Tab washer	1	
9	21-0545	Nut	1	
10	82-8090	"O" ring	2	
11	82-7848	Oil seal housing	2	
12	83-3228	Torque stay	1	
13	14-1304	Nut	1	
14	14-0133	Bolt	1	
15	99-0046	Spring washer	1	
16	60-2294	SUSPENSION UNIT 64052341	2	
16a	64052090	Damper unit		Reference only
17	64533645	Bonded bush (99-0122)	4	
18	9054/171	Spring retainer (99-0107)	4	
19	64544754	Spring (110 lbs.) (99-1139)	2	
20	14-0235	Bolt, top and bottom	4	
21	60-2429	Spring washer - D.S. lower	1	
22	60-4246	Washer, ...	7	
23	82-2184	Washer—D.S. lower	1	
24	14-1303	Nut	2	
25	83-3231	Rear chainguard	1	
26	14-0113	Front pivot bolt	1	
27	14-0702	Self-locking nut	1	
28	82-9387	Bolt, rear chainguard to fork ( $\frac{25}{32}$ in.)	1	
29	60-2331	Washer	1	
30	14-1302	Nut	1	
31	14-1304	Nut	1	
32	60-4267	Washer	1	
33	82-7352	Chain oiler pipe—long	1	
34	82-9997	Chain oiler pipe—short	1	
35	14-1303	Nut	2	

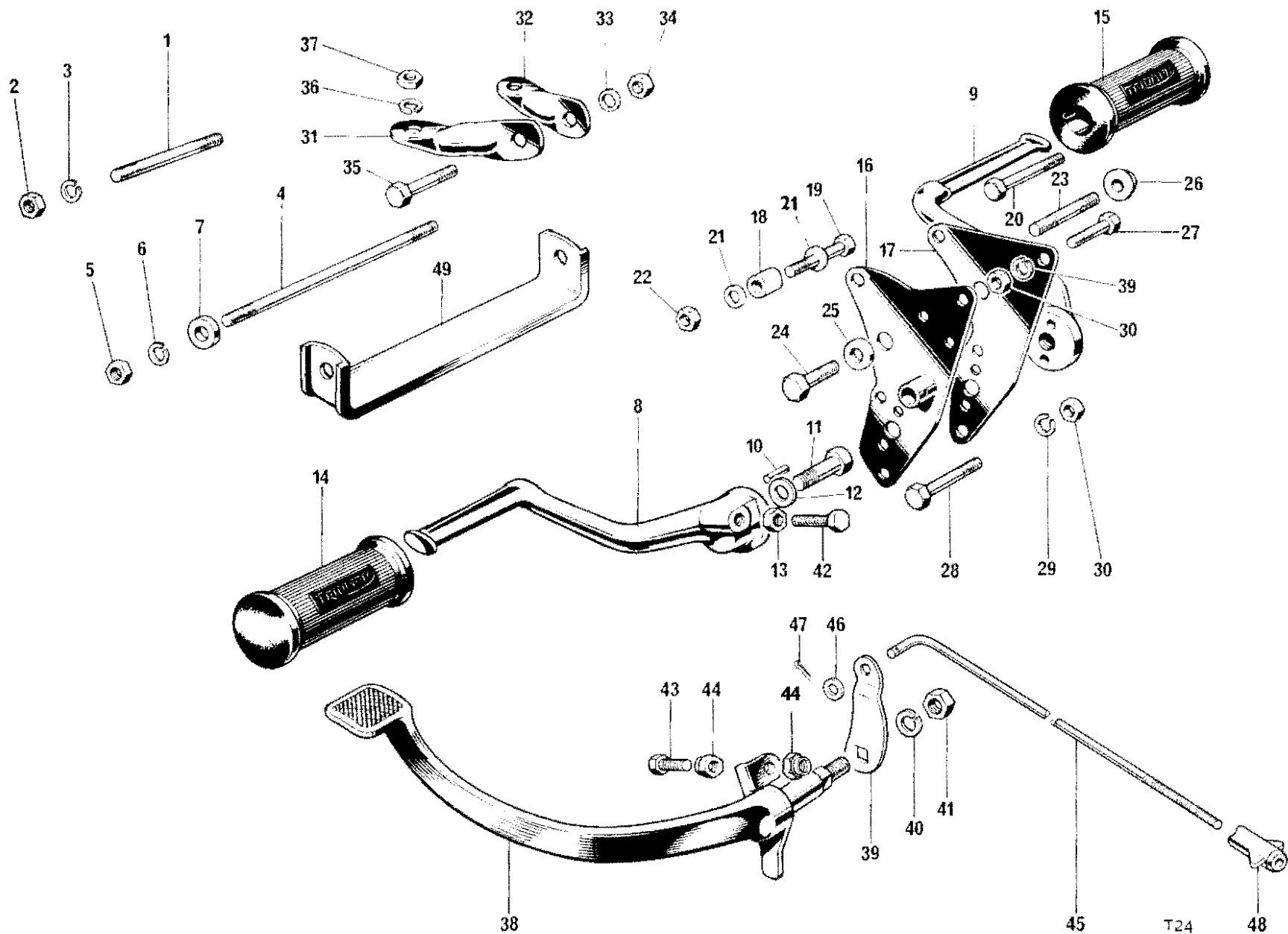


Fig. 17. MOTOR UNIT FITTINGS AND FOOTRESTS



**MOTOR UNIT FITTINGS AND FOOTRESTS**

1	14-6254	Bolt, front engine to frame ... ..	1	
2	14-1304	Nut, stud. ... ..	1	
3	60-2323	Spring washer ... ..	2	
4	21-0572	Stud (bottom) engine to frame (10½ in. O.A.) ... ..	1	
5	14-0304	Nut, stud ... ..	2	
6	99-0046	Spring washer ... ..	2	
7	82-5532	Spacer, bottom engine fixing ... ..	1	
8	82-9623	Drive side footrest ... ..	1	
9	82-9624	Timing side footrest ... ..	1	
10	82-5943	Peg ... ..	4	
11	21-1969	Bolt, footrest ... ..	2	
12	82-8243	Washer, footrest stud ... ..	2	
13	14-0401	Locknut ... ..	1	
14	82-9279	Footrest rubber D.S. ... ..	1	
15	82-9630	Footrest rubber T.S. ... ..	1	
16	83-1597	Rear engine plate D.S. ... ..	1	
17	83-1594	Rear engine plate T.S. ... ..	1	
18	83-1598	Spacer D.S. rear engine plate ... ..	2	
19	14-0222	Bolt, D.S. rear engine plate to engine ... ..	2	
20	14-0221	Bolt, T.S. rear engine plate to engine ... ..	2	
21	60-4247	Washer, rear engine plate to engine ... ..	8	
22	14-1302	Nut ... ..	4	
23	21-0548	Stud, T.S. pivot lug to engine plate (1¾ in. O.A.) ... ..	1	
24	14-0132	Bolt, D.S. pivot lug to engine plate ... ..	1	
25	82-3770	Washer ... ..	1	
26	82-7389	Nut ... ..	2	
27	14-0128	Bolt, upper rear engine plate to frame ... ..	2	
28	14-0234	Bolt, lower rear engine plate to frame ... ..	2	
29	60-2322	Spring washer ... ..	4	
30	14-1303	Nut ... ..	4	
31	82-9378	Torque stay engine L.H. ... ..	1	
32	82-9378	Torque stay engine R.H. ... ..	1	
33	60-4246	Washer ... ..	2	
34	14-1303	Nut ... ..	2	
35	14-0237	Bolt, torque stay to frame ... ..	1	
36	60-2321	Washer ... ..	2	
37	14-1302	Nut ... ..	1	
38	83-3224	Rear brake pedal ... ..	1	
39	82-6064	Lever ... ..	1	
40	60-2322	Spring washer ... ..	1	
41	14-1303	Nut ... ..	1	
42	14-0105	Stop bolt... ..	1	
43	14-0103	Adjuster, stoplamp switch ... ..	1	
44	14-0401	Nut, adjuster ... ..	2	
45	83-3227	Brake rod ... ..	1	
46	83-4277	Distance piece ... ..	1	
47	—	Split pin, (¼ in. x ⅜ in.) ... ..		Reference only
48	82-7387	Adjuster nut ... ..	1	
49	82-9529	Oil pipe retaining strap ... ..	1	

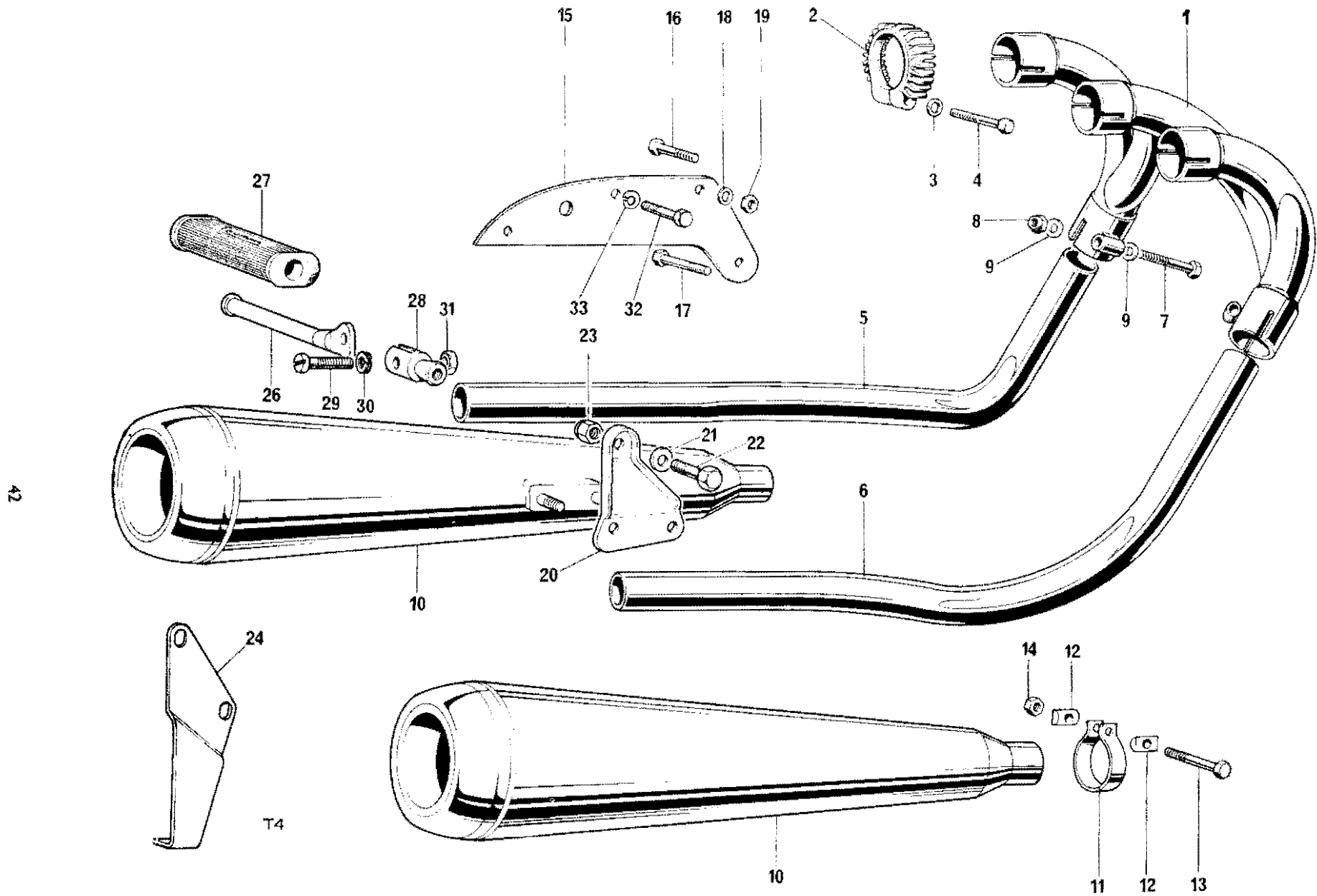
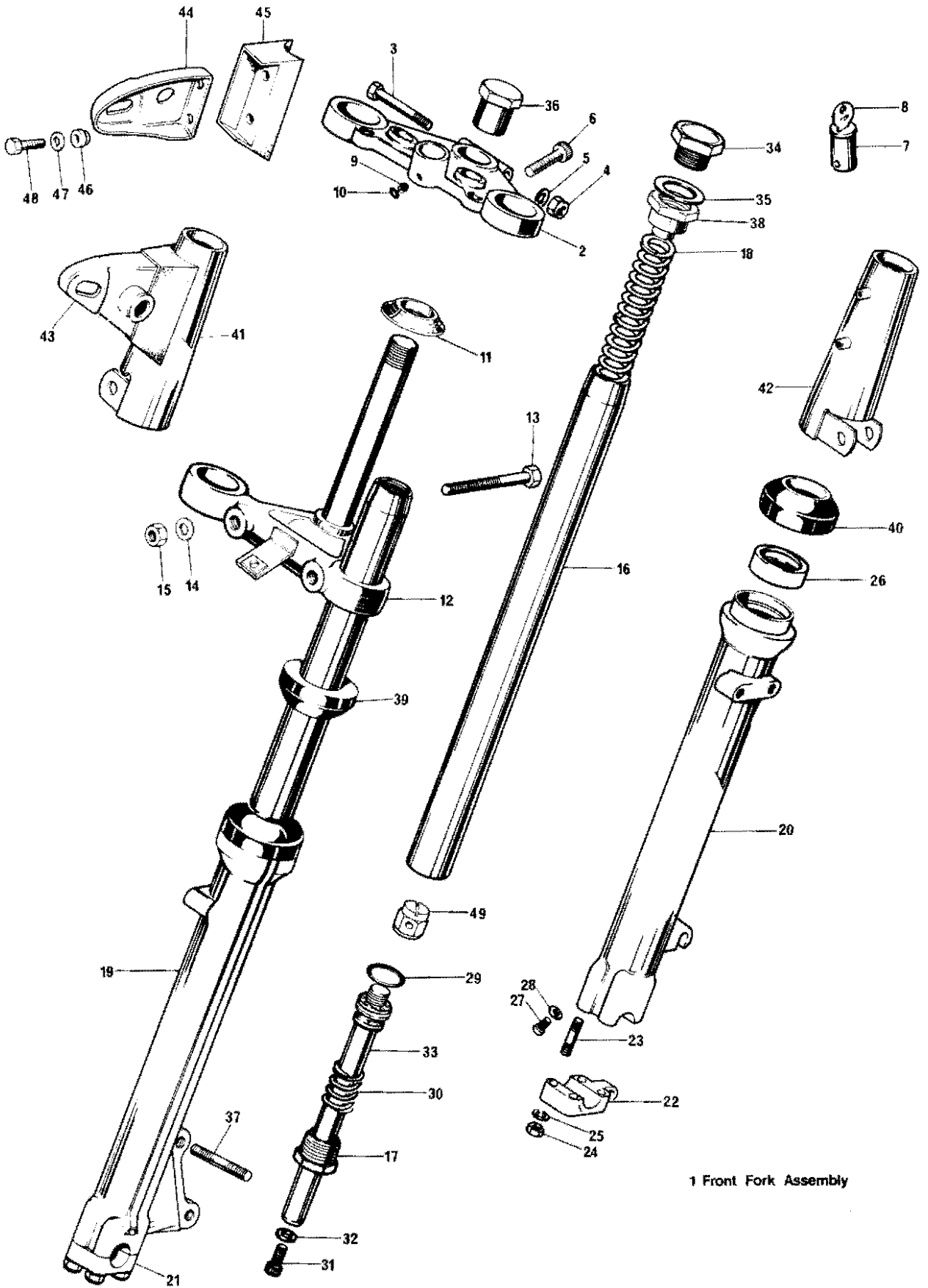


Fig. 18. EXHAUST PIPES AND MUFFLERS

Ref. No.	Part No.	DESCRIPTION	QUANTITY	REMARKS
<b>EXHAUST PIPES AND MUFFLERS</b>				
1	70-7597	Exhaust manifold ... ..	1	
2	70-6743	Finned clip ... ..	3	
3	70-8860	Hemispherical washer ... ..	3	
4	70-6744	Bolt ... ..	3	
5	71-2451	Exhaust pipe—D.S. ... ..	1	
6	71-2453	Exhaust pipe—T.S. ... ..	1	
7	14-0205	Bolt ... ..	2	
8	14-1201	Nut ... ..	2	} Exhaust pipe to manifold ...
9	60-4245	Washer ... ..	4	
10	71-2382	Muffler ... ..	2	
11	70-2271	Clip ... ..	2	} Muffler to exhaust pipe
12	70-3768	'D' washer ... ..	4	
13	14-0219	Bolt ... ..	2	
Not illus.	60-4247	Washer ... ..	2	
14	14-1202	Nut ... ..	2	
15	70-4711	Hanger ... ..	2	
16	14-0115	Bolt ... ..	2	} Hanger to frame
17	14-0116	Bolt ... ..	2	
18	60-4247	Washer ... ..	4	
19	14-1302	Nut ... ..	4	
20	71-2460	Bracket—D.S. ... ..	1	
20	71-1848	Bracket—T.S. ... ..	1	
21	60-4248	Washer ... ..	4	} Bracket to muffler ...
22	14-0101	Bolt ... ..	4	
23	14-1201	Nut ... ..	4	
24	83-2033	Centre stand stop plate ... ..	1	
25	82-9369	PILLION FOOTREST ... ..	2	
26	82-1694	Pedal ... ..	1	} Each assembly
27	82-1695	Rubber ... ..	1	
28	82-9370	Hanger ... ..	1	
29	82-9371	Pivot bolt ... ..	1	
30	82-2277	Thackeray washer ... ..	1	
31	14-0302	Nut ... ..	1	
32	21-1910	Bolt ... ..	1	
33	60-4259	Spring washer ... ..	1	



1 Front Fork Assembly

Fig. 19. TELESCOPIC FRONT FORK

Ref. No.	Part No.	DESCRIPTION	QUANTITY	REMARKS
<b>TELESCOPIC FRONT FORK</b>				
1	97-4468	FORK ASSEMBLY	1	
2	97-4381	Top yoke	1	
3	14-0234	Pinch bolt	1	
4	14-1303	Nut	1	
5	60-2331	Washer	1	
6	14-1034	Cap screw	2	
7	82-6738	Lock c/w 2 keys	1	
8	60-0623	Key (state serial number)	1	
9	21-0578	Grub screw	1	
10	97-2266	Sealing washer	1	
11	97-0439	Bottom cone	2	
12	97-4463	Bottom yoke and stem	1	
13	14-0237	Pinch bolt	1	
13	97-4476	Pinch bolt	1	
14	70-8084	Washer	4	
15	14-1303	Nut	2	
16	97-4380	Stanchion	2	
17	97-4076	End plug	2	
18	97-4215	Main spring	2	
19	97-4514	OUTER MEMBER—L.H.	1	
20	97-4515	OUTER MEMBER—R.H.	1	
21	97-4456	Cap, wheel spindle—L.H.	1	
22	97-4457	Cap, wheel spindle—R.H.	1	
23	21-2102	Stud	8	
24	14-0302	Nut	8	
25	60-2428	Washer	8	
26	97-4001	Oil seal	2	
27	97-3894	Drain plug	2	
28	97-3893	Washer	2	
29	97-4003	'O' ring	2	
30	97-4009	Recoil spring	2	
31	14-1019	Cap screw	2	
32	97-4004	Cap screw seal	2	
33	97-4324	Damper tube and valve assembly	2	
34	97-4404	Top cap nut	2	
35	97-4166	Washer	2	
36	97-4317	Steering stem nut	1	
37	21-2189	Stud, caliper to outer member	2	
38	97-4387	Cap screw, top cap nut	2	
39	97-4461	Rubber ring, outer cover	2	
40	97-4002	Scraper sleeve	2	
41	97-4482	Outer cover—L.H.	1	
42	97-4483	Outer cover—R.H.	1	
43	97-4417	Headlamp bracket—L.H.	1	
44	97-4203	Headlamp bracket—R.H.	1	
45	97-2208	Rubber mounting	2	
46	97-2209	Rubber buffer	4	
47	97-2210	Backing washer	4	
48	21-2095	Attachment bolt	4	
Not illus.	60-4137	Grommet	1	
49	97-4244	Nut, damper valve	1	

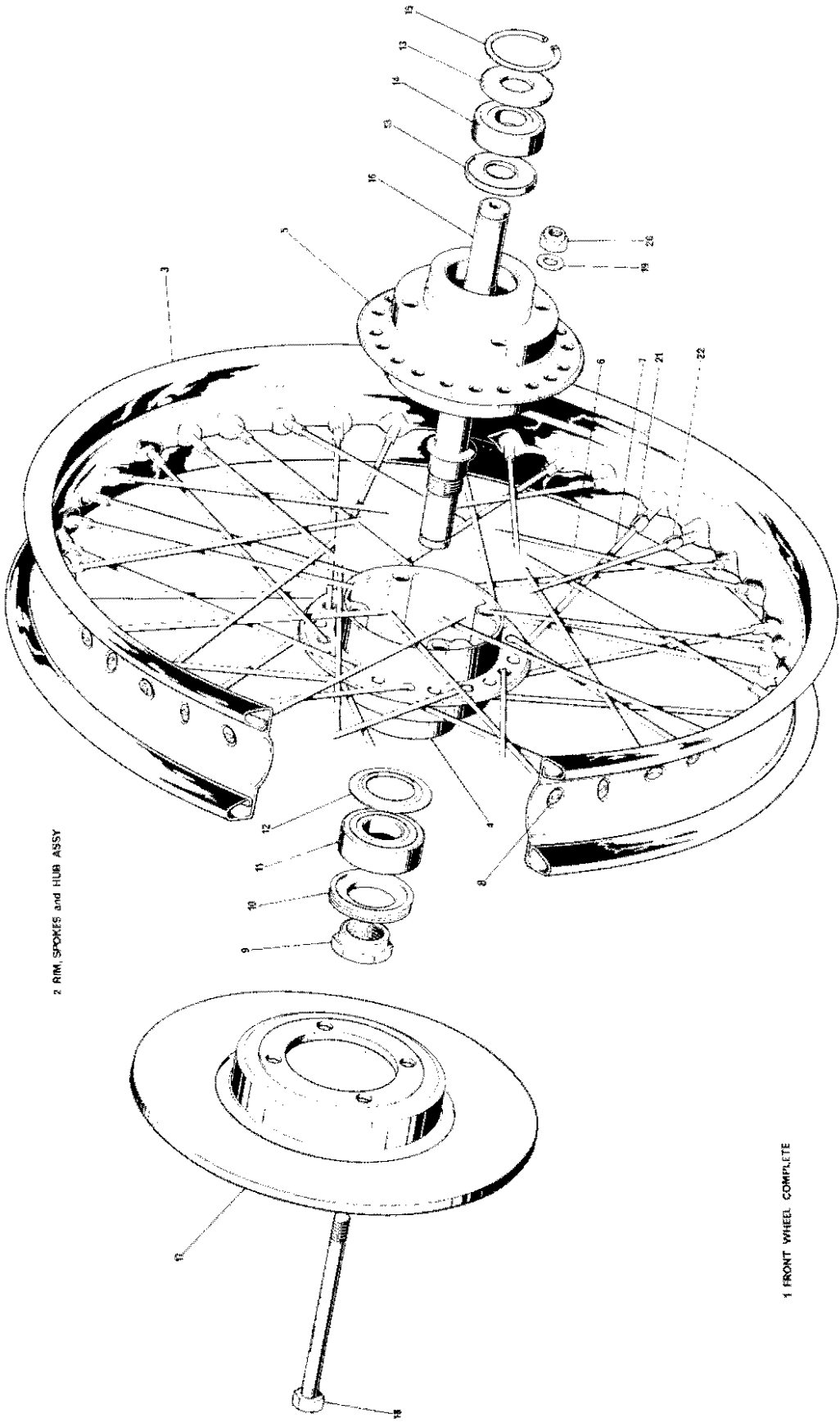


Fig. 20. FRONT WHEEL

**FRONT WHEEL**

1	37-4141	FRONT WHEEL COMPLETE	1	
2	37-4143	RIM, SPOKES AND HUB ASSEMBLY	1	
3	37-4129	Rim	1	
4	37-4126	Hub—L.H. half	1	
5	37-4127	Hub—R.H. half	1	
6	37-4131	Spoke—Outer	20	
7	37-4130	Spoke—Inner	20	
8	37-2294	Spoke Nipple	40	
9	37-4133	Locknut—L.H.	1	
10	37-4134	Lock Ring—L.H.	1	
11	57-1070	Bearing—L.H.	1	
12	37-4135	Grease retainer—L.H.	1	
13	37-1257	Dust Cover—R.H.	2	
14	37-0653	Bearing—R.H.	1	
15	57-0280	Circlip—R.H.	1	
16	37-4132	Spindle	1	
17	37-4136	Disc	1	
18	21-2207	Bolt	4	
19	60-2322	Washer	4	} Disc to hub
20	14-1303	Nut	4	
21	37-3969	Balance weight		As reqd.
22	37-3970	Balance weight		As reqd.

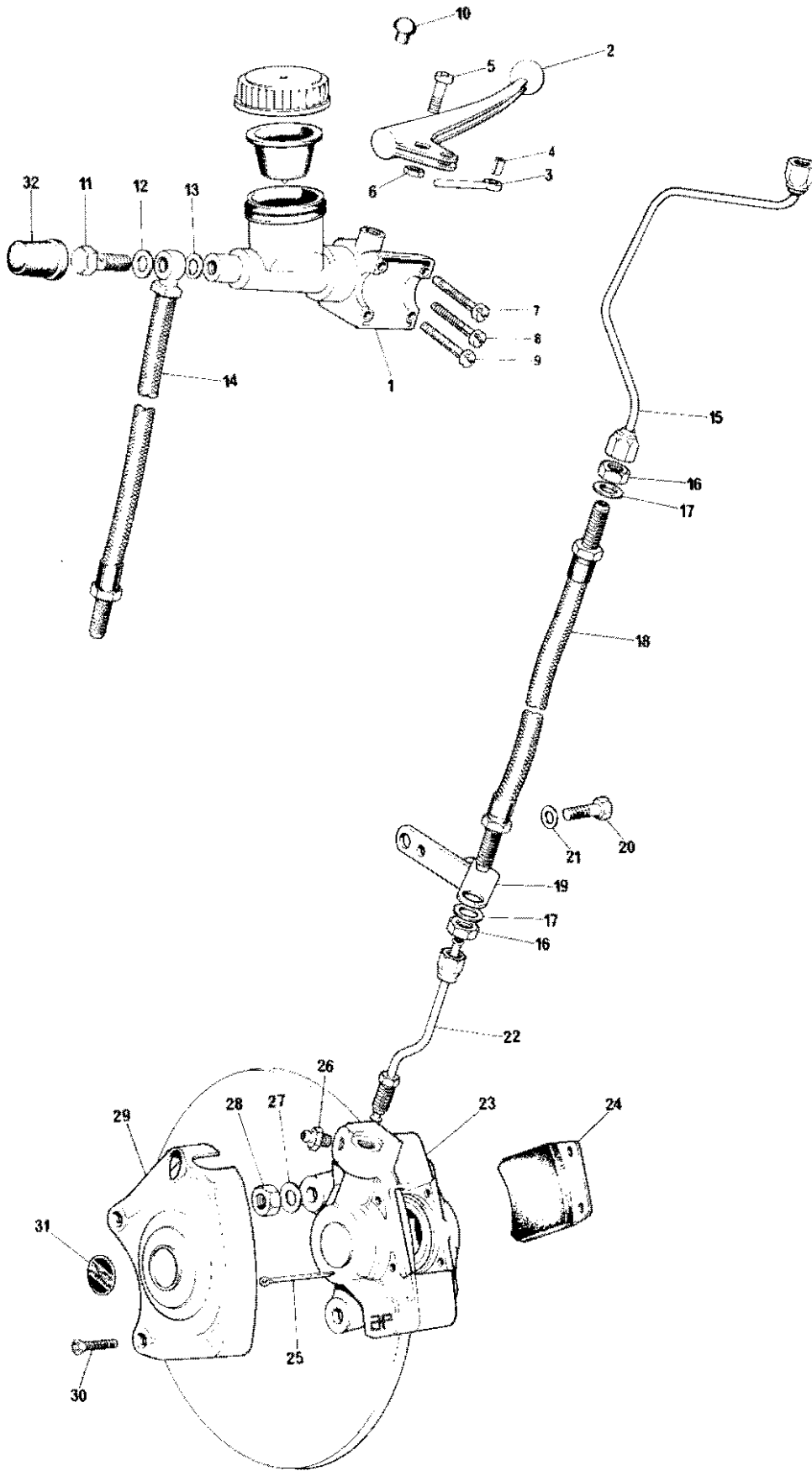


Fig. 21. FRONT BRAKE



Ref. No.	Part No.	DESCRIPTION	QUANTITY	REMARKS
<b>FRONT BRAKE</b>				
1	60-4102	MASTER CYLINDER (4222/979) ... ..	1	
2	60-4206	BRAKE LEVER ASSY ... ..	1	
3	3761/270	Piston ... ..	1	Reference only
4	3528/441	Spirol pin ... ..	1	Reference only
5	21-2191	Pivot screw } Lever pivot ... ..	1	
6	14-1201	Nut } ... ..	1	
7	21-2192	Screw } Cylinder body to switch ... ..	2	
8	21-2193	Screw } ... ..	1	
9	21-2194	Screw } ... ..	1	
10	70-7573	Plug ... ..	1	
11	60-4183	Banjo bolt (30420) ... ..	1	
12	60-4182	Sealing washer (KL 44516) ... ..	1	
13	60-4184	Sealing washer (KL 44518) ... ..	1	
14	60-4176	Hose, master cylinder to top yoke (KL 58505) ... ..	1	
15	60-4179	Pipe, top yoke to bottom yoke (ZT 2071N) ... ..	1	
16	60-4180	Locknut ... ..	3	
17	60-4181	Washer ... ..	3	
18	60-4175	Hose, bottom yoke to fork leg (KL 56612) ... ..	1	
19	97-4477	Bracket, pipe support ... ..	1	
20	14-0103	Bolt } Bracket to fork leg ... ..	2	
21	60-2427	Washer } ... ..	2	
22	60-4178	Pipe, fork leg to caliper (ZTA 2070N) ... ..	1	
23	60-4101	CALIPER (4823/432) ... ..	1	
24	4741/537	Brake pad ... ..	1	Reference only
25	K19866TP2	Retaining pin ... ..	1	Reference only
26	3486/229	Bleed nipple ... ..	1	Reference only
27	60-2331	Washer } Caliper to outer member ... ..	2	
28	14-1303	Nut } ... ..	2	
29	37-4170	Cover, caliper ... ..	1	
30	21-2196	Screw, cover attachment ... ..	2	
31	60-4156	Decal, caliper cover ... ..	1	
32	60-4186	Rubber boot, master cylinder ... ..	1	

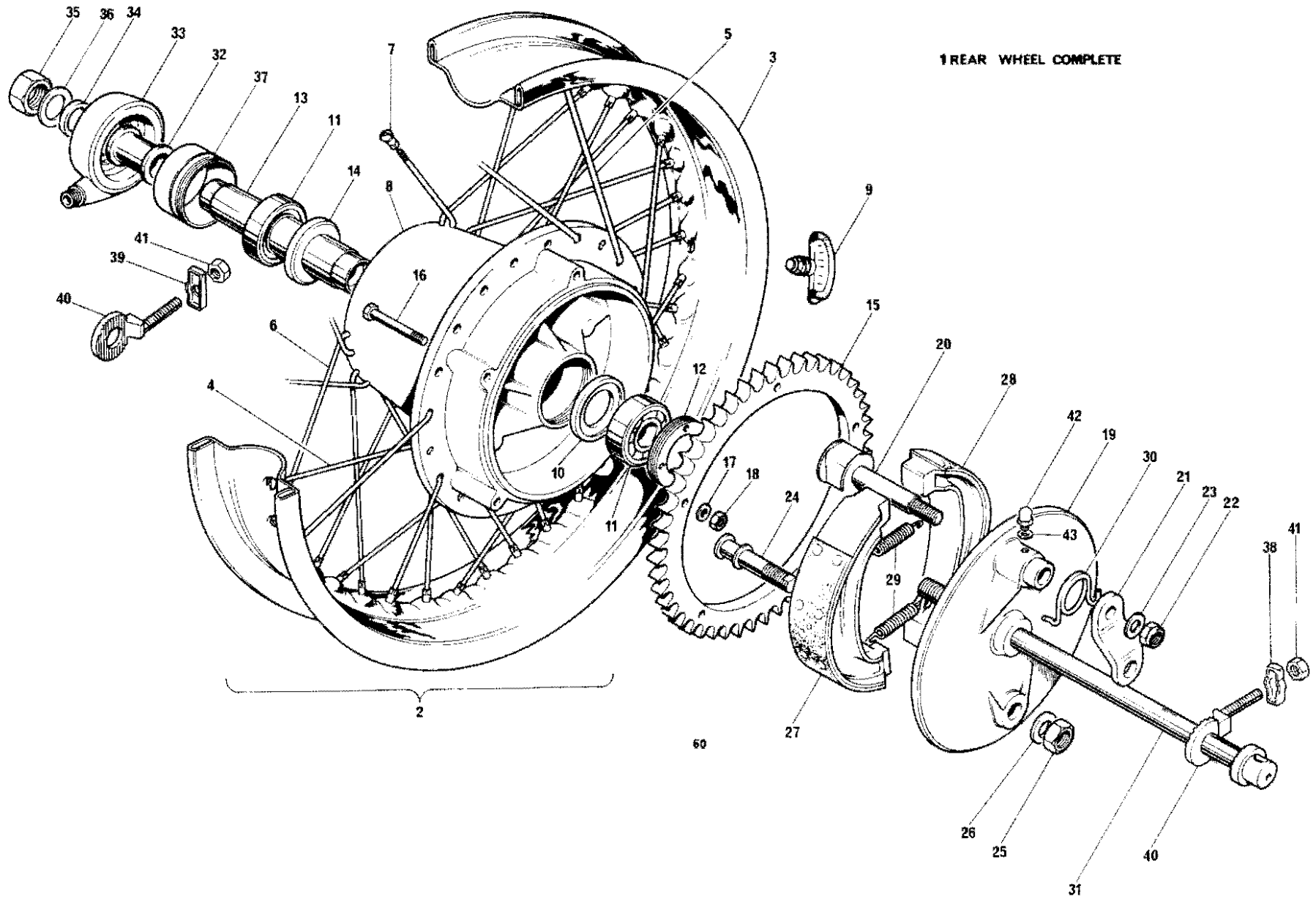


Fig. 22. REAR WHEEL

Ref. No.	Part No.	DESCRIPTION	QUANTITY	REMARKS
<b>REAR WHEEL</b>				
1	37-4172	REAR WHEEL COMPLETE ... ..	1	
2	37-3900	RIM SPOKES AND HUB ASSEMBLY ... ..	1	
3	37-3920	Rim (WM 3 x 19) ... ..	1	
4	37-3921	Spoke (inner—L.H.) ... ..	1	
5	37-3922	Spoke (outer—L.H.) ... ..	10	
6	37-3923	Spoke—R.H. ... ..	20	
7	37-2294	Nipple ... ..	40	
8	37-3773	Hub and brake drum ... ..	1	
9	37-3468	Tyre security bolt ... ..	2	
10	37-3749	Support ring—L.H. ... ..	1	
11	37-0653	Bearing ... ..	2	
12	37-3752	Locking ring—L.H. ... ..	1	
13	37-3753	Spacer ... ..	1	
14	37-1654	Grease retainer—R.H. ... ..	1	
15	37-3903	Sprocket 53 teeth ... ..	1	
15	37-4046	Sprocket—50 teeth ... ..	Available	
16	14-0207	Bolt ... ..	5	
17	60-2320	Washer ... ..	5	} Sprocket to hub
18	14-1301	Nut ... ..	5	
19	37-3856	Brake anchor plate ... ..	1	
20	37-3872	Brake cam ... ..	1	
21	37-4034	Brake lever ... ..	1	
22	14-1303	Nut ... ..	1	
23	60-2331	Washer ... ..	1	
24	37-3870	Brake pivot ... ..	1	
25	14-0305	Nut ... ..	1	} Brake pivot to torque arm ... ..
26	60-2431	Washer ... ..		
27	37-3925	Brake shoe complete (leading) ... ..	1	
28	37-3926	Brake shoe complete (trailing) ... ..	1	
29	37-2328	Return spring (brake shoe) ... ..	2	
30	37-4049	Return spring (brake lever) ... ..	1	
31	37-3980	Wheel spindle ... ..	1	
32	37-3750	Distance piece inner ... ..	1	
33	60-3213	Speedometer drive gearbox ... ..	1	
34	37-3901	Distance piece outer ... ..	1	
35	14-1307	Nut ... ..	1	} Wheel spindle
36	37-3976	Washer ... ..		
37	37-3751	Speedometer drive ring ... ..	1	
38	37-1015	Cover plate—swinging arm fork end—L.H. ... ..	1	
39	37-3961	Cover plate—swinging arm fork end—R.H. ... ..	1	
40	37-3919	Chain adjuster ... ..	2	
41	14-1902	Nut—chain adjuster ... ..	2	
42	60-1841	Grease nipple ... ..	1	
43	60-1841	Fibre washer ... ..	1	

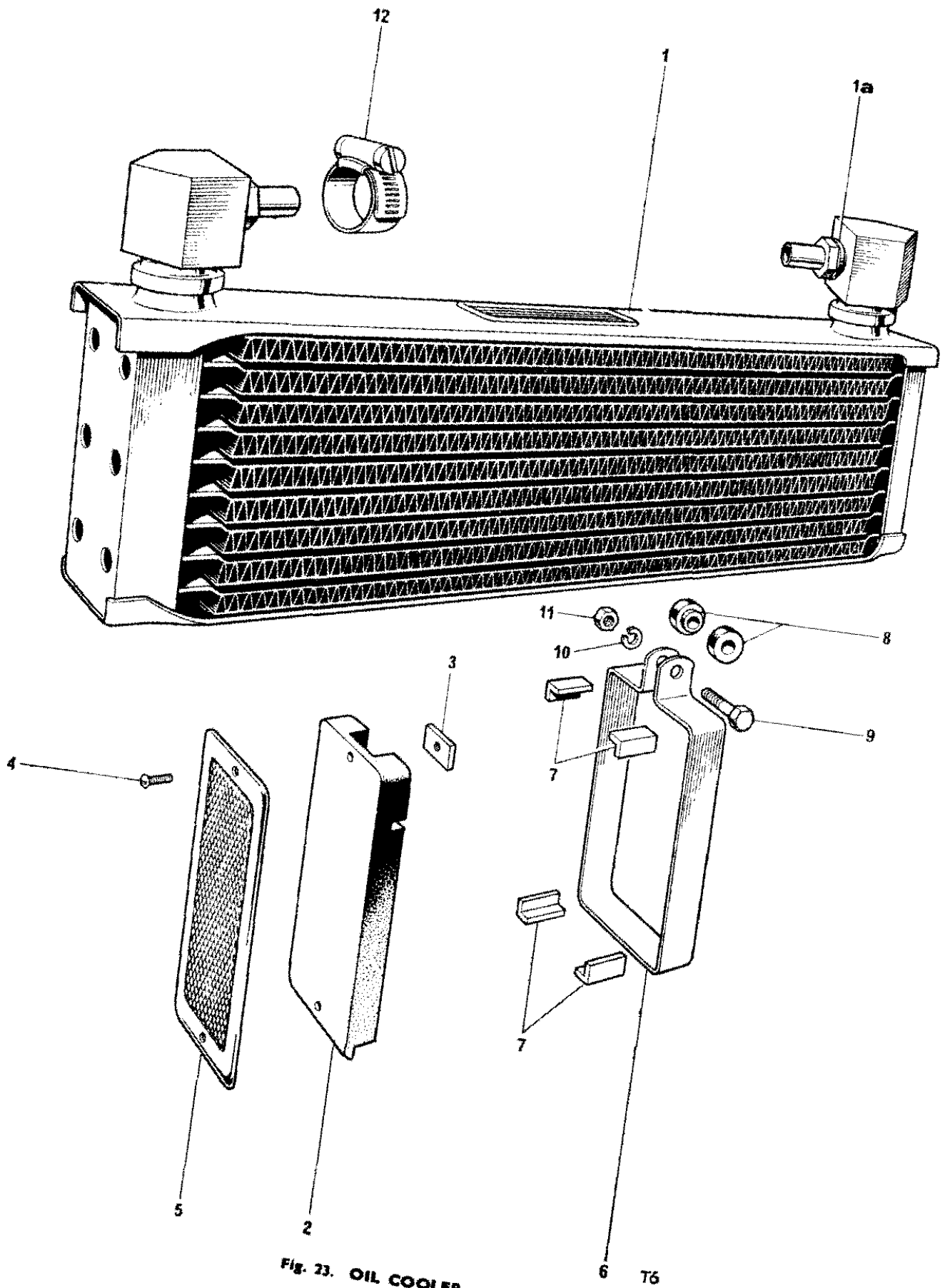


Fig. 23. OIL COOLER

**OIL COOLER GROUP**

1	82-9315	Oil cooler, including unions ... ..	1	
1A	M10441	Washer (Cov. Rad.) ... ..		Reference only
2	82-9907	Reflector rubber and plate ... ..	2	
3	82-9573	Reflector nut ... ..	4	
4	21-1940	Reflector screw ... ..	4	
5	57160	Reflector (99-1119) ... ..	2	
6	82-9317	Support strap ... ..	2	
7	82-9322	Corner packing ... ..	8	
8	82-9321	Rubber bush ... ..	4	
9	82-9323	Clamp bolt ( $\frac{3}{8}$ in. U.H.) ... ..	2	
10	70-2351	Spring washer ... ..	2	
11	82-4717	Nut ... ..	2	
12	60-0702	Clip ... ..	2	

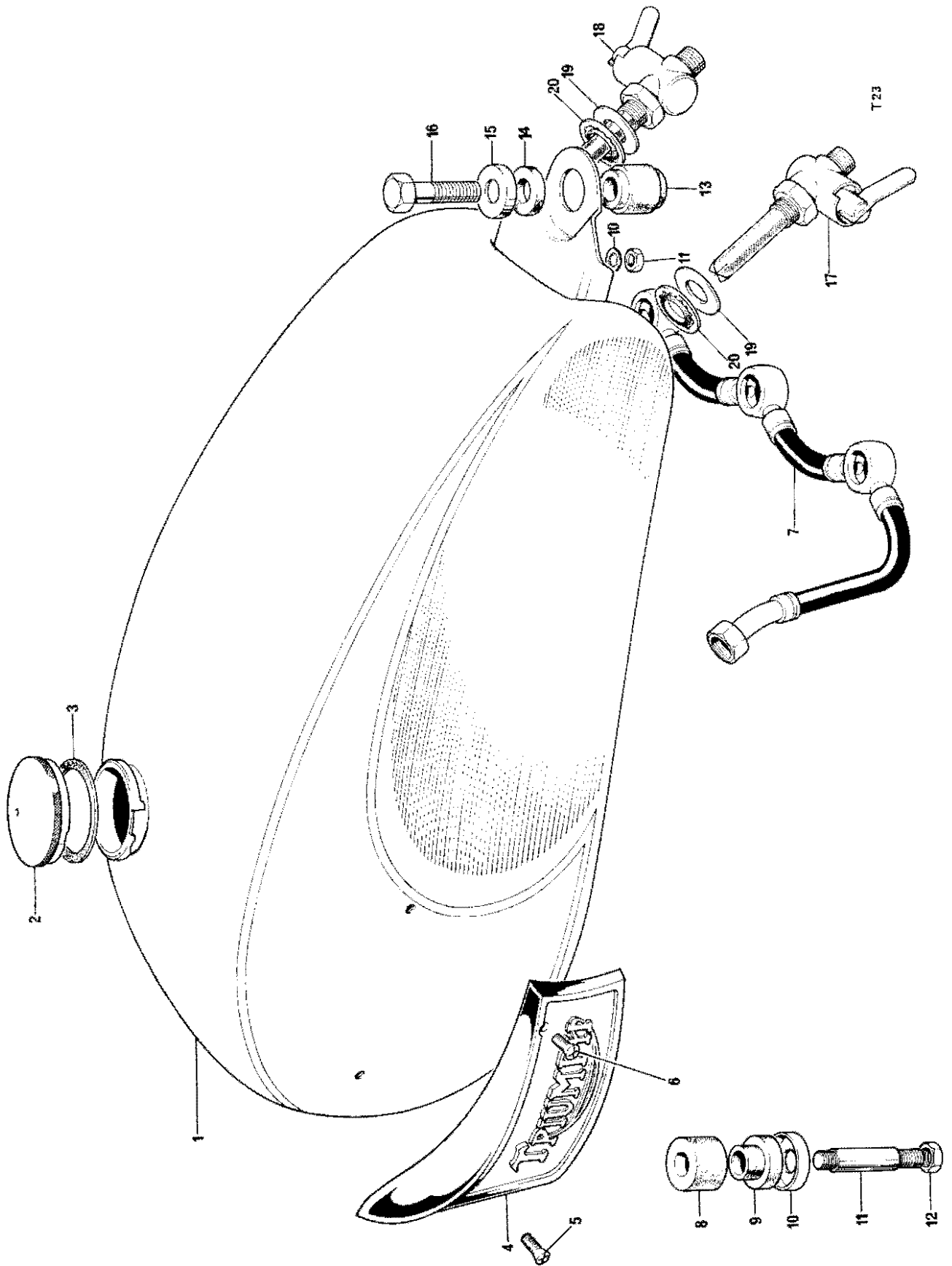


Fig. 24. GAS TANK

Ref. No.	Part No.	DESCRIPTION	QUANTITY	REMARKS
<b>GAS TANK</b>				
1	83-4859	Gas tank (4 U.S. galls)	1	
2	83-3875	Filler cap	1	
3	82-4048	Joint washer	1	
4	82-9701	Styling unit—D.S.	1	
4	82-9700	Styling unit—T.S.	1	
5	83-1339	Screw—front	2	Styling unit to tank
6	82-7888	Screw—rear		
7	83-3154	Gas pipe	1	
8	82-5228	Top rubber	2	
9	82-9543	Spigotted rubber	2	
10	82-3814	Bottom cup	2	
11	21-2019	Stud	2	
12	14-1302	Nut	2	
13	82-5336	Mounting rubber	1	
14	82-0967	Rubber washer	1	
15	82-3814	Cup	1	
16	82-7388	Bolt	1	
17	83-2801	Gas tap—reserve	1	
18	83-3800	Gas tap	1	
19	83-0002	Washer	2	
20	70-7351	Tap seal	2	
Not illus.	83-4763	Grommet	1	

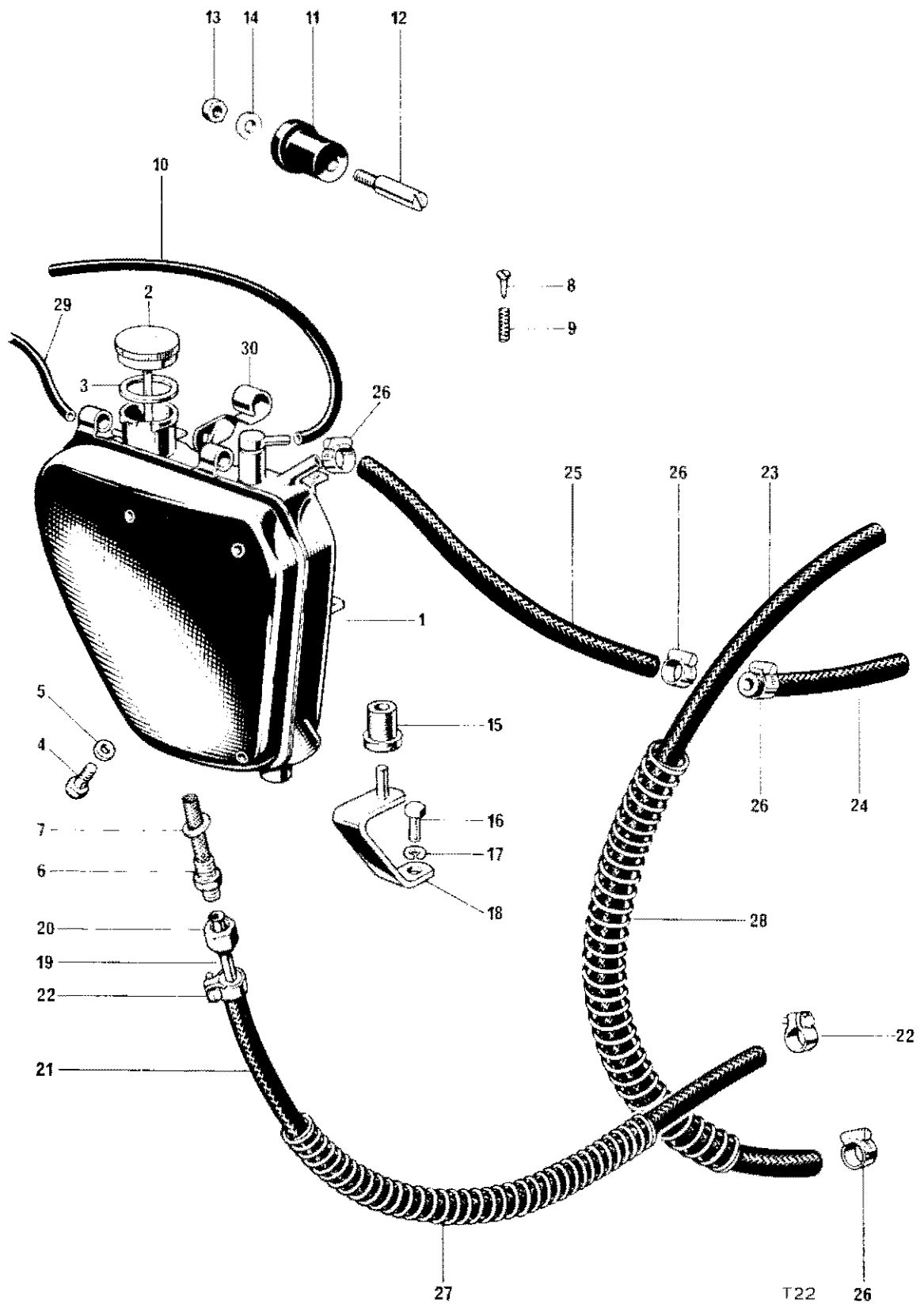


Fig. 25. OIL TANK



Ref. No.	Part No.	DESCRIPTION	QUANTITY	REMARKS
<b>OIL TANK</b>				
1	83-1761	Oil tank ... ..	1	
Not illus.	60-0778	Transfer (gilt) ... ..	1	
Not illus.	60-0044	Transfer (gilt) ... ..	1	
Not illus.	60-0003	Transfer (gilt) ... ..	1	
2	82-9659	Filler cap ... ..	1	
3	82-4047	Joint washer ... ..	1	
4	82-5343	Drain plug ... ..	1	
5	60-4262	Fibre washer ... ..	1	
6	82-9430	Filter ... ..	1	
7	82-1713	Fibre washer ... ..	1	
8	82-9435	Metering screw ... ..	1	
9	82-6874	Metering screw spring ... ..	1	
10	82-9664	Extension pipe, froth tower ... ..	1	
11	82-6673	Spigotted rubber ... ..	2	
12	82-7510	Peg, tank to frame ... ..	2	
13	14-1301	Nut, tank to frame ... ..	2	
14	60-4248	Washer, tank to frame ... ..	2	
15	82-6039	Bottom grommet ... ..	1	
16	21-1822	Bottom bolt ... ..	1	
17	60-4260	Spring washer ... ..	1	
18	82-9588	Bottom bracket ... ..	1	
19	82-3655	Oil feed pipe top half ... ..	1	
20	82-3182	Union nut ... ..	1	
21	70-8904	Oil pipe flex tank, to engine ... ..	1	
22	70-6848	Oil pipe clip ... ..	2	
23	70-8905	Oil pipe engine to oil cooler ... ..	1	
24	71-1742	Rocker to oil cooler flexible pipe ... ..	1	
25	71-1743	Cooler to oil tank flexible pipe ... ..	1	
26	60-0702	Clip oil return pipe ... ..	4	
27	82-9530	Feed pipe protection spring ... ..	1	
28	82-9531	Scavenge pipe spring ... ..	1	
29	82-9526	Rear chain oiler pipe ... ..	1	
Not illus.	82-9918	Clip, oil pipes to frame ... ..	2	
30	83-1549	Clip for choke cable ... ..	1	

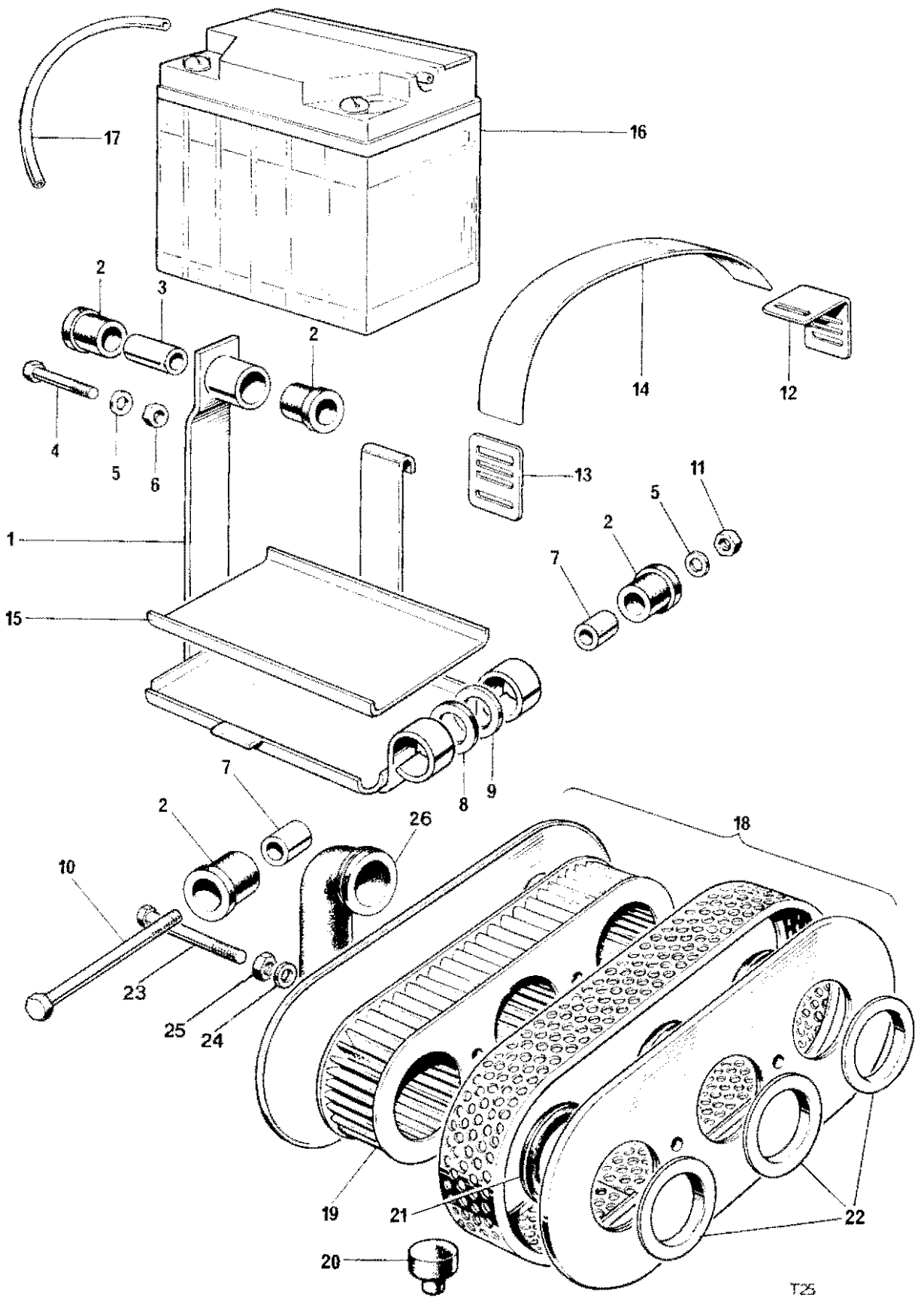


Fig. 26. BATTERY CARRIER AND AIR FILTER

**BATTERY CARRIER AND AIR FILTER**

1	82-9343	Battery carrier ... ..	1	
2	82-9351	Spigotted rubber bush ... ..	4	
3	82-9349	Top distance tube ... ..	1	
4	14-0222	Top bolt ... ..	1	
5	60-4247	Washer ... ..	2	
6	14-1302	Nut ... ..	1	
7	82-9350	Bottom distance tube ... ..	2	
8	82-9352	Rubber washer ... ..	2	
9	82-4299	Washer ... ..	2	
10	14-0228	Bolt ... ..	1	
11	14-1302	Nut ... ..	1	
12	82-9354	Strap buckle top ... ..	1	
13	82-9355	Strap buckle bottom ... ..	1	
14	82-9353	Retaining strap ... ..	1	
15	82-8091	Rubber battery tray ... ..	1	
Not illus.	60-0052	Transfer, positive earth ... ..	1	
16	54027029	Battery PUZ5A (99-0719) ... ..	1	
17	82-7431	Battery vent pipe ... ..	1	
18	60-2567	AIR CLEANER C/W ELEMENT ... ..	1	
19	70-9138	Element ... ..	1	
20	82-7835	Buffer ... ..	1	
21	82-9562	Grommet ... ..	3	
22	70-9586	Sleeve ... ..	3	
23	14-0213	Bolt ... ..	1	
24	21-0602	Washer ... ..	2	
25	14-0401	Locknut ... ..	2	
26	82-9563	Connector hose ... ..	1	

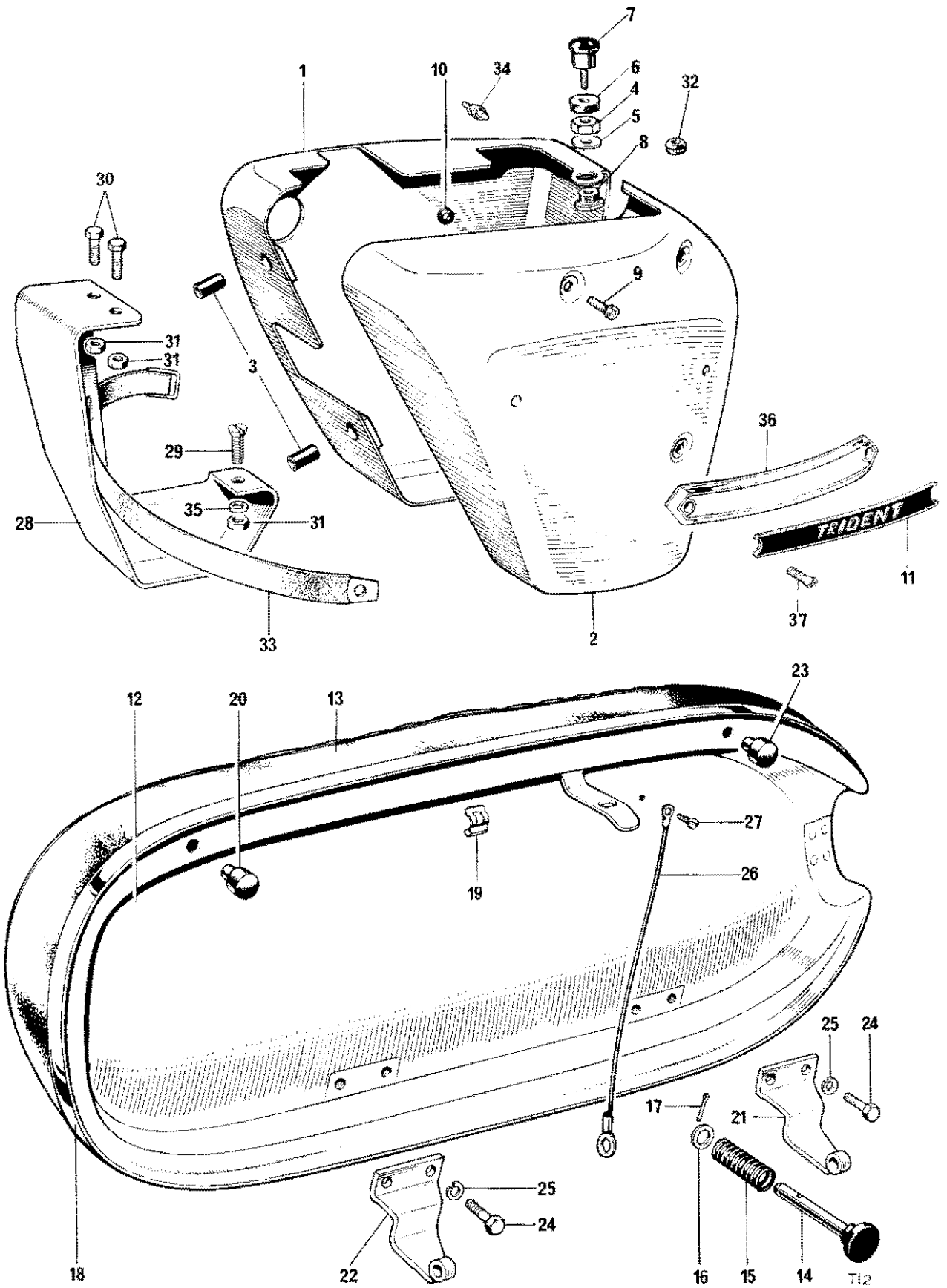


Fig. 27. PANELS AND TWINSEAT

Ref. No.	Part No.	DESCRIPTION	QUANTITY	REMARKS
<b>PANELS AND TWINSEAT</b>				
1	83-4857	D.S. Panel ... ..	1	
2	83-4856	T.S. Panel ... ..	1	
3	82-6673	Grommet ... ..	2	
4	21-1833	Lock nut ... ..	1	
5	60-4267	Washer ... ..	1	
6	82-6968	Rubber spacer ... ..	1	
7	82-9445	Release knob ... ..	1	
8	82-9590	Boss ... ..	1	
9	14-2205	Screw T.S. panel to oil tank ... ..	4	
10	82-9442	Grommet ... ..	3	
11	60-4149	Decal, 'Trident' ... ..	2	
12	83-2039	TWINSEAT ... ..	1	
13	83-2239	Twinseat cover ... ..	1	
14	82-7560	Knob ... ..	1	
15	82-4228	Spring ... ..	1	
16	70-1719	Washer ... ..	1	
17	—	Split pin ( $\frac{3}{32}$ in. x $\frac{1}{2}$ in.) ... ..	...	Reference only
18	60-0696	Trim strip ... ..	1	
19	60-0697	Sprag ... ..	4	
20	82-4898	Buffer ... ..	2	
21	82-8026	Front hinge ... ..	1	
22	82-7862	Rear hinge ... ..	1	
23	82-7835	Buffer ... ..	2	
24	14-0101	Bolt, hinge ... ..	4	
25	60-4250	Spring washer ... ..	4	
26	60-2087	Check wire ... ..	1	
27	60-2381	Self tapping screw ... ..	1	
28	83-2035	Toolbox ... ..	1	
29	14-0503	Screw, toolbox to battery carrier ... ..	1	
30	14-0102	Bolt ... ..	2	
31	14-1301	Nut ... ..	3	
32	82-9770	Panel buffer ... ..	2	
33	82-9749	Toolroll strap ... ..	1	
34	60-3659	Clip, clutch cable ... ..	1	
35	82-4299	Washer ... ..	3	
36	60-4151	Nameplate ... ..	2	
37	82-4129	Screw ... ..	4	Nameplate attachment
Not illus.	82-4717	Nut ... ..	4	

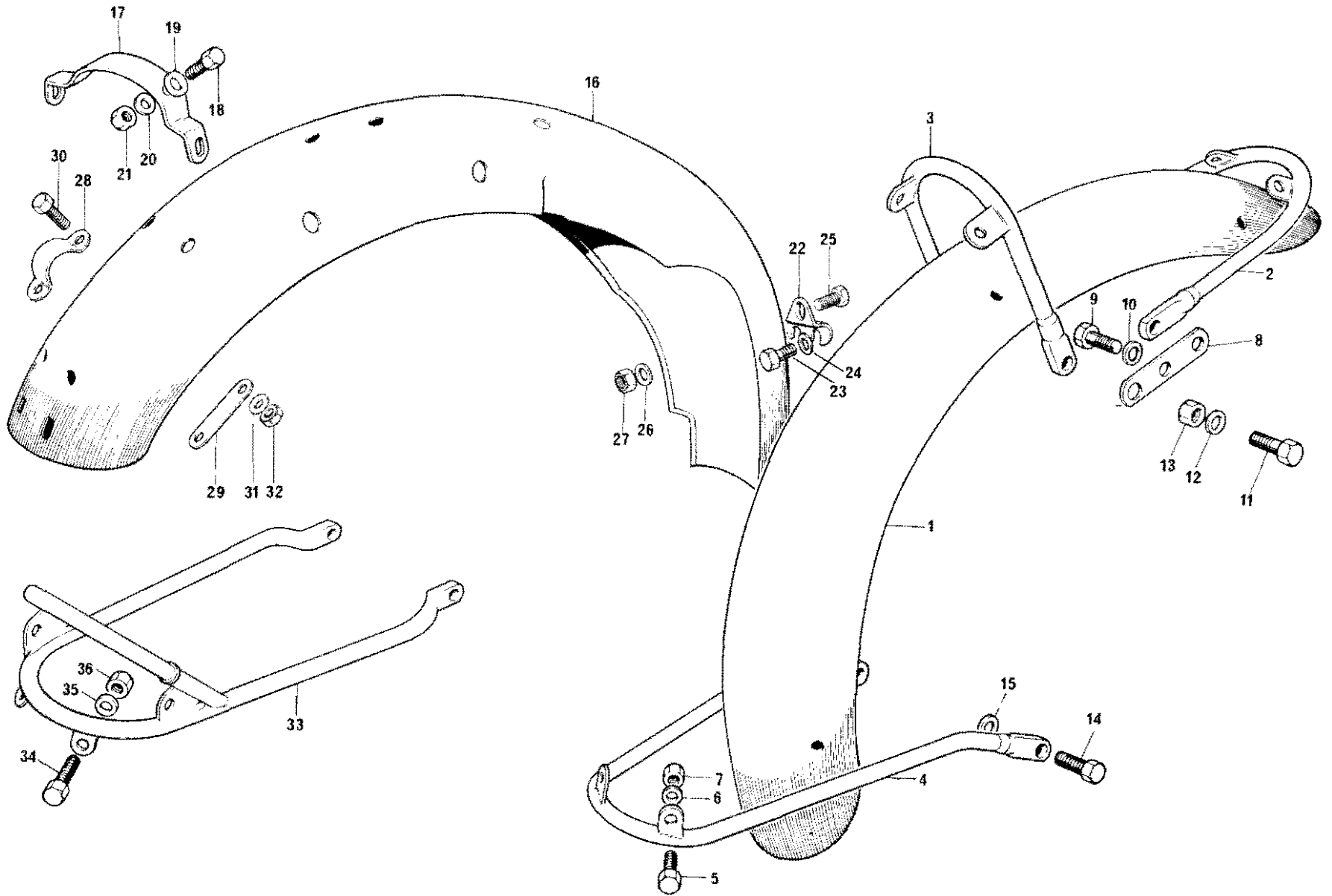


Fig. 28. FENDERS AND TAIL LAMP

**FENDERS AND TAIL LAMP**

1	97-4439	Front fender	1	
2	97-4444	Front stay	1	
3	97-4442	Centre stay	1	
4	97-4447	Bottom stay	1	
5	14-0101	Bolt	6	Stays to fender
6	60-4245	Washer	6	
7	14-1201	Nut	6	
8	97-4446	Bracket	1	
9	14-0103	Bolt	2	Bracket to fork leg
10	60-2427	Washer	2	
11	14-0116	Bolt	2	Front and centre stays to bracket
12	82-4299	Washer	2	
13	14-1302	Nut	2	
14	14-6114	Bolt	2	Bottom stay to fork leg
15	60-2428	Washer	2	
16	83-4822	Rear fender	1	
17	82-6915	Bridge	1	
18	14-0102	Bolt	2	Bridge to fender
19	F6310	Washer	2	
20	60-4245	Washer	1	
21	14-1201	Nut	2	
22	82-6851	Front bracket	1	
23	21-1822	Bolt	2	Bracket to pivot lug
24	60-4260	Washer	2	
25	14-0101	Bolt	1	Bracket to fender
26	82-6310	Washer	1	
27	14-1201	Nut	1	
28	82-5994	Clip	1	
29	82-6031	Backing plate	1	
30	21-1822	Bolt	2	Clip to fender
31	60-4247	Washer	2	
32	14-1302	Nut	2	
33	83-4814	Lifting handle	1	
34	14-0102	Bolt	2	Lifting handle to fender
35	60-4245	Washer	2	
36	14-1301	Nut	2	

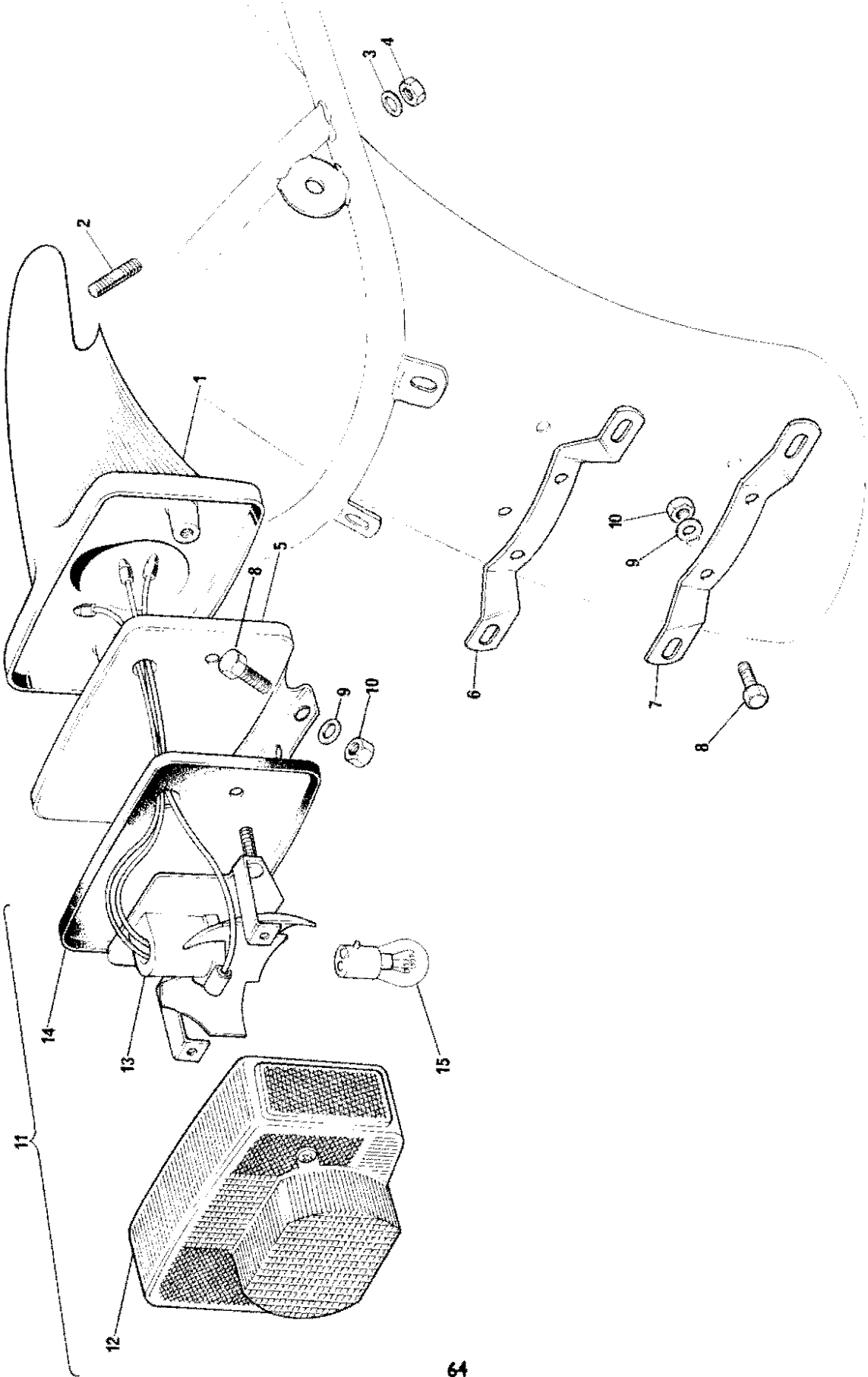


Fig. 29. TAIL LAMP AND SUPPORT



**TAIL LAMP AND SUPPORT**

1	83-4774	Tail lamp support	...	1
2	14-1401	Stud	...	1
3	60-2329	Washer	} Tail lamp support to fender	1
4	14-1301	Nut		1
5	83-5001	Support plate	...	1
6	83-4784	Rear number plate bracket—top	...	1
7	82-6850	Rear number plate bracket—bottom	...	1
8	14-0101	Bolt	} Number plate brackets to fender	4
9	60-2329	Washer		4
10	14-1301	Nut		4
11	56513	STOP-TAIL LAMP—L917 (99-1252)	...	1
12	54584930	Lens (complete with screws) (99-1257)	...	1
13	54584931	Base assembly	...	Reference only
14	54583924	Gasket	...	Reference only
15	380	Bulb (99-0542)	...	1

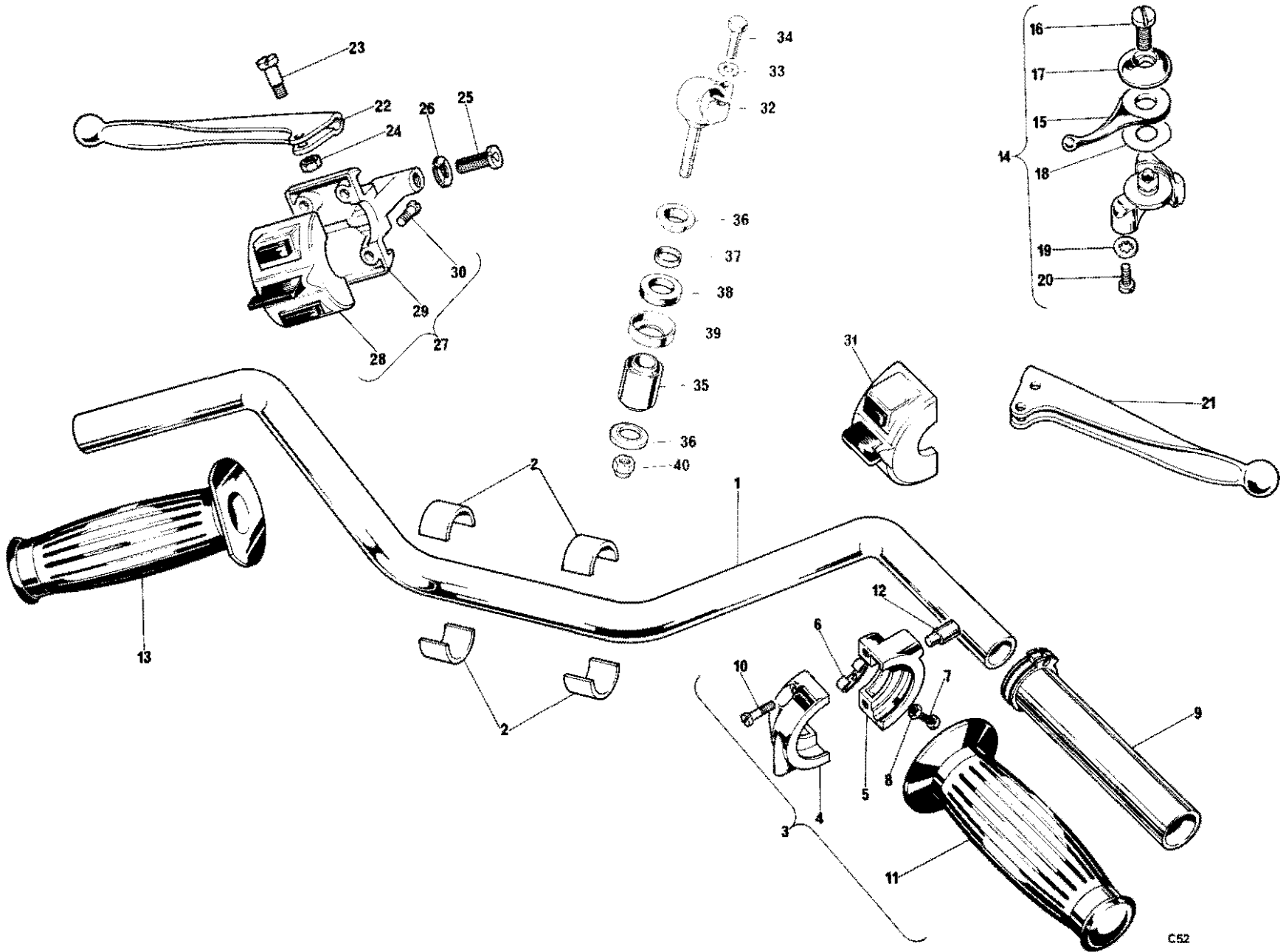


Fig. 30. HANDLEBARS AND CONTROL LEVERS

### HANDLEBAR AND CONTROL LEVERS

1	97-4411	Handlebar ... ..	1	
2	97-1425	Packing piece ... ..	4	
3	364/011	TWISTGRIP (99-1102) ... ..	1	
4	364/013	Body, top half ... ..		Reference only
5	364/014	BODY, BOTTOM HALF ... ..		Reference only
6	16/008	Friction spring ... ..		Reference only
7	16/009	Screw ... ..		Reference only
8	16/010	Locknut ... ..		Reference only
9	364/017	Rotor (99-0244) ... ..	1	
10	11/013	Screw (99-0225) ... ..	2	
11	97-2125	Grip ... ..	1	
12	16/011	Cable stop ... ..		Reference only
13	97-2124	Grip—L.H. ... ..	1	
14	60-3567	AIR CONTROL LEVER ... ..	1	
15	12/556	Lever ... ..		Reference only
16	12/607	Bolt ... ..		Reference only
17	12/606	Cap ... ..		Reference only
18	12/033	Spring washer ... ..		Reference only
19	60-4256	Shakeproof washer ... ..	2	
20	60-3896	Screw ... ..	2	
21	*60-4391	Front brake lever ... ..		Reference only
22	60-3981	Clutch lever ... ..	1	
23	21-2048	Pivot pin ... ..	2	
24	14-1201	Nut ... ..	2	
25	60-3585	Adjuster ... ..	2	
26	60-3586	Lockring ... ..	2	
27	39595	HANDLEBAR SWITCH—L.H. ... ..		Reference only
28	54033666	Switch half ... ..		Reference only
29	54340882	Lever half (99-1187) ... ..	1	
30	54115246	Screw (99-1188) ... ..	4	
31	54033751	Handlebar switch—R.H. ... ..		Reference only
32	97-2291	Handlebar eyebolt ... ..	2	
33	82-1335	Washer ... ..	2	
34	21-0589	Bolt ... ..	2	
35	97-1527	Metalastic bush ... ..	2	
36	97-1529	Hemispherical washer ... ..	4	
37	97-1581	Distance piece ... ..	2	
38	97-1580	Rubber washer ... ..	2	
39	97-2221	Cup ... ..	2	
40	14-1303	Nuc ... ..	2	

\*Front brake and master cylinder details are shown on page 49.

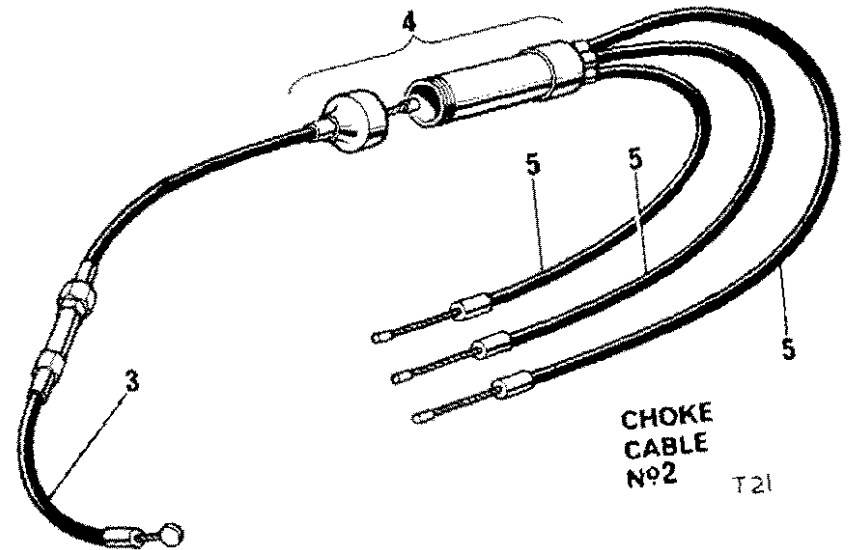
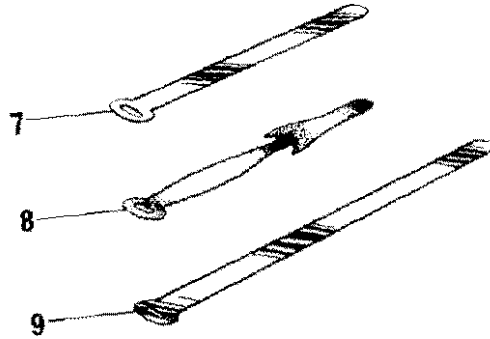
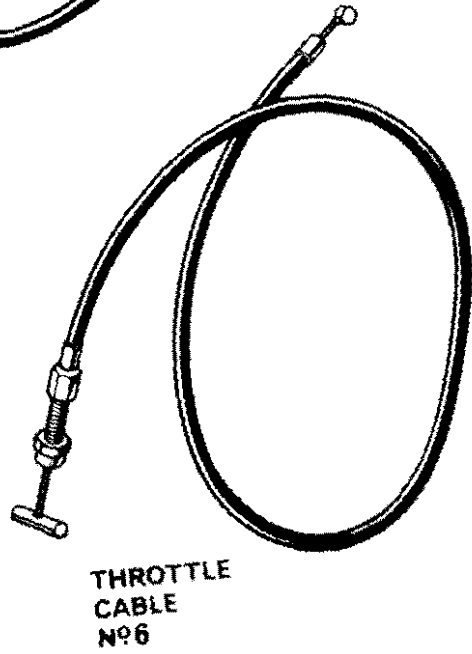
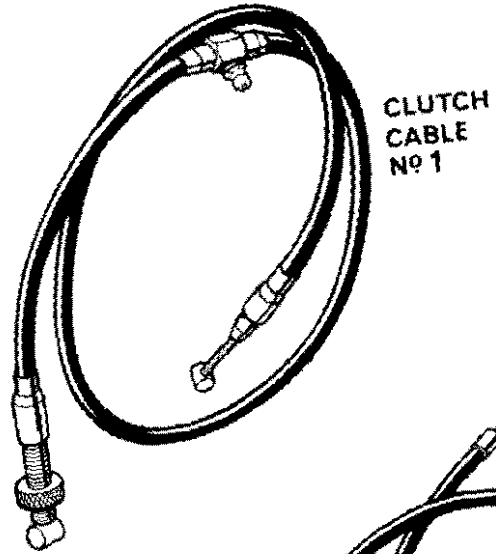
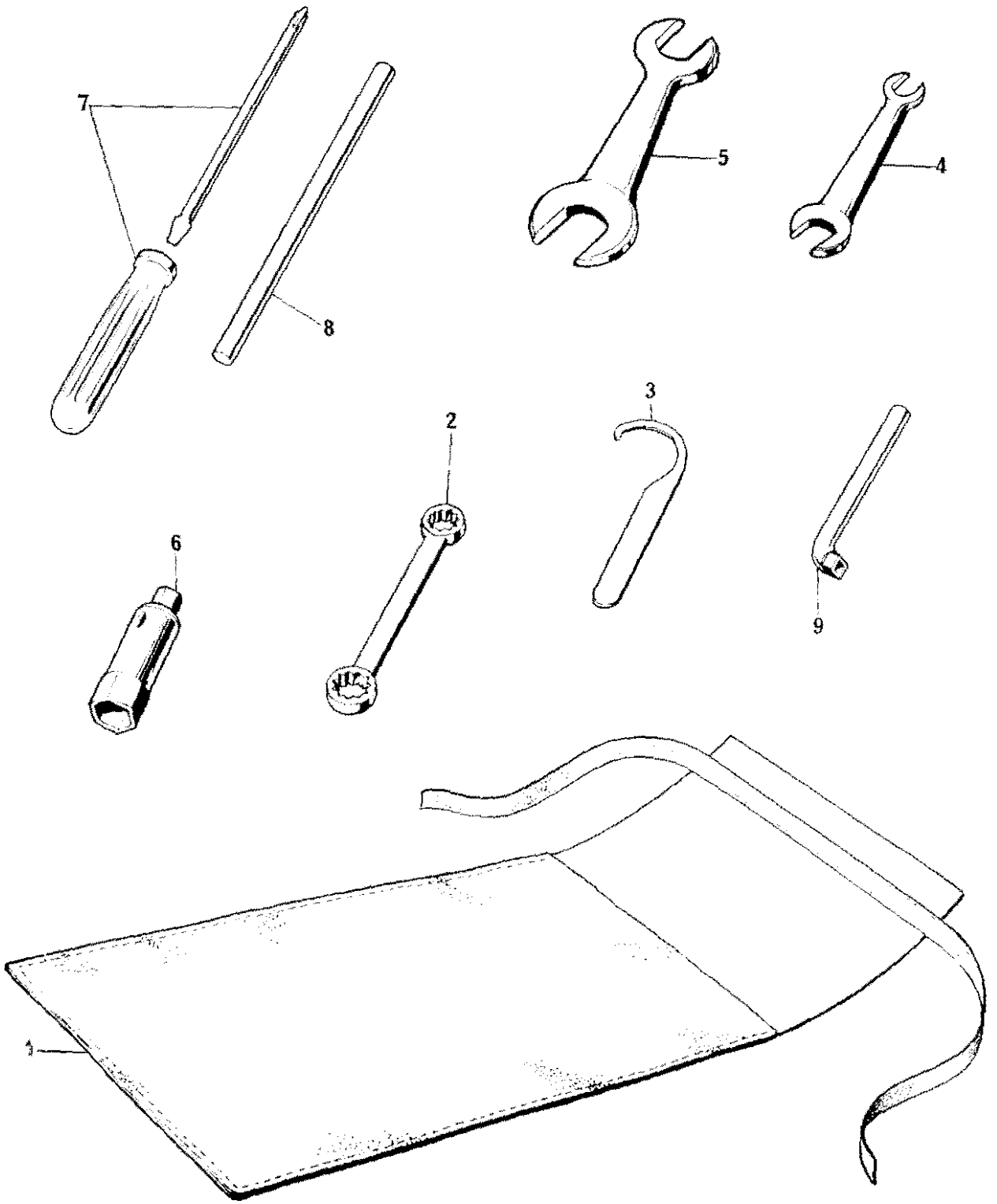


Fig. 31. CONTROL CABLES

Ref. No.	Part No.	DESCRIPTION	QUANTITY	REMARKS
<b>CONTROL CABLES</b>				
1	60-2445	Clutch cable ... ..	1	
2	60-3565	CHOKE CABLE ASSEMBLY ... ..	1	
3	60-3566	Cable, lever to junction box ... ..	1	
4	60-1978	Junction box (244/2080) ... ..	1	
5	60-2061	Cable, junction box to carburetter ... ..	3	
6	60-0890	Throttle cable ... ..	1	
7	60-4254	Cable clip ... ..		As required
8	60-4258	Cable clip ... ..		As required
9	82-9918	Cable clip ... ..		As required



T 34

Fig. 32. TOOLKIT

Ref. No.	Part No.	DESCRIPTION	QUANTITY	REMARKS
----------	----------	-------------	----------	---------

**TOOLKIT**

—	60-3351	TOOLKIT COMPLETE	...	...	...	...	...	...	1
1	60-0291	Tool roll	...	...	...	...	...	...	1
2	60-1907	Ring spanner	...	...	...	...	...	...	1
3	60-2184	"C" spanner	...	...	...	...	...	...	1
4	60-3350	Open ended spanner	...	...	...	...	...	...	1
5	60-2647	Open ended spanner	...	...	...	...	...	...	1
6	60-1910	Plug spanner	...	...	...	...	...	...	1
7	60-0767	Screwdriver complete	...	...	...	...	...	...	1
8	60-1911	Tommy bar	...	...	...	...	...	...	1
9	60-2020	Tappet spanner	...	...	...	...	...	...	1

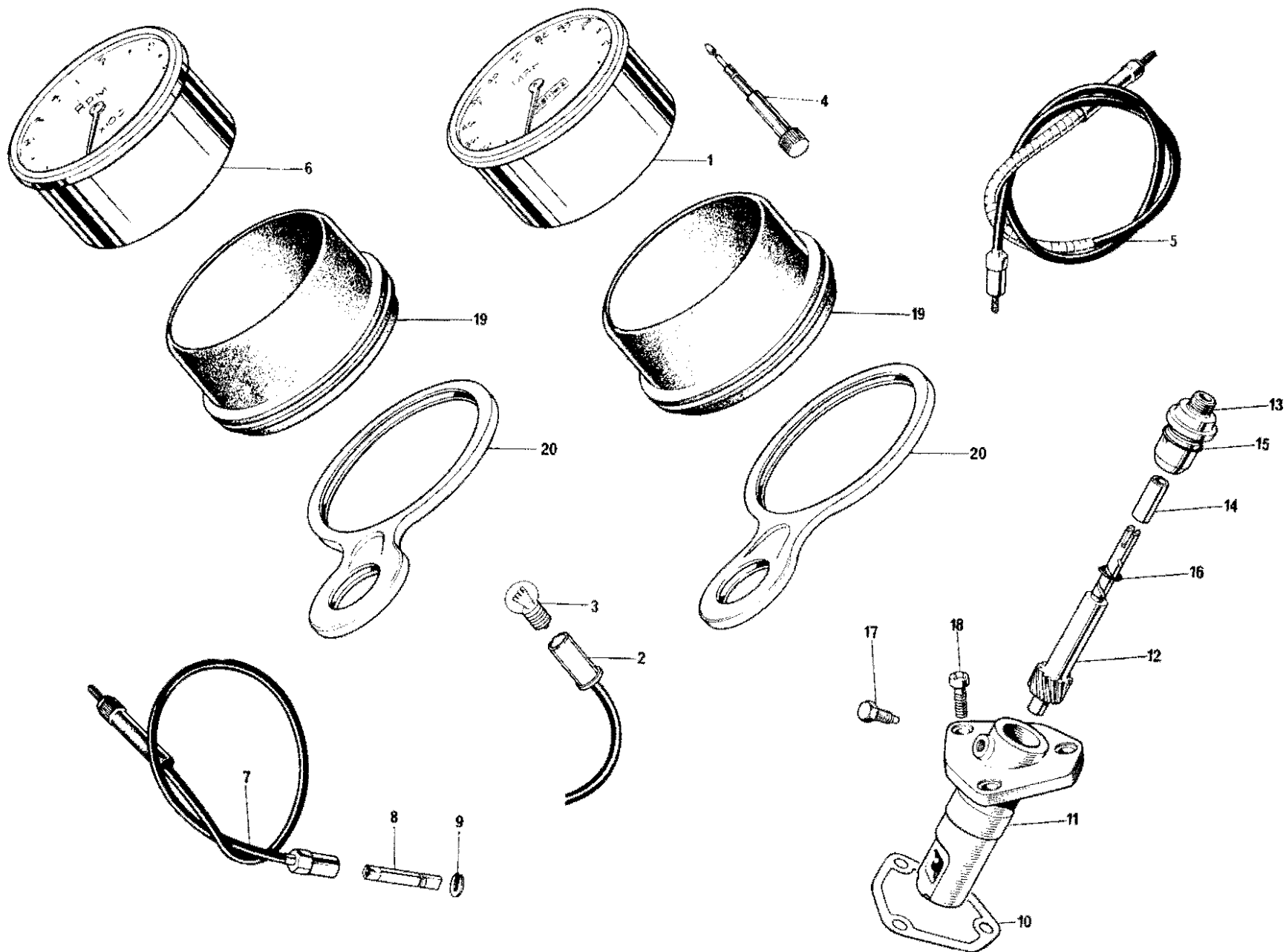


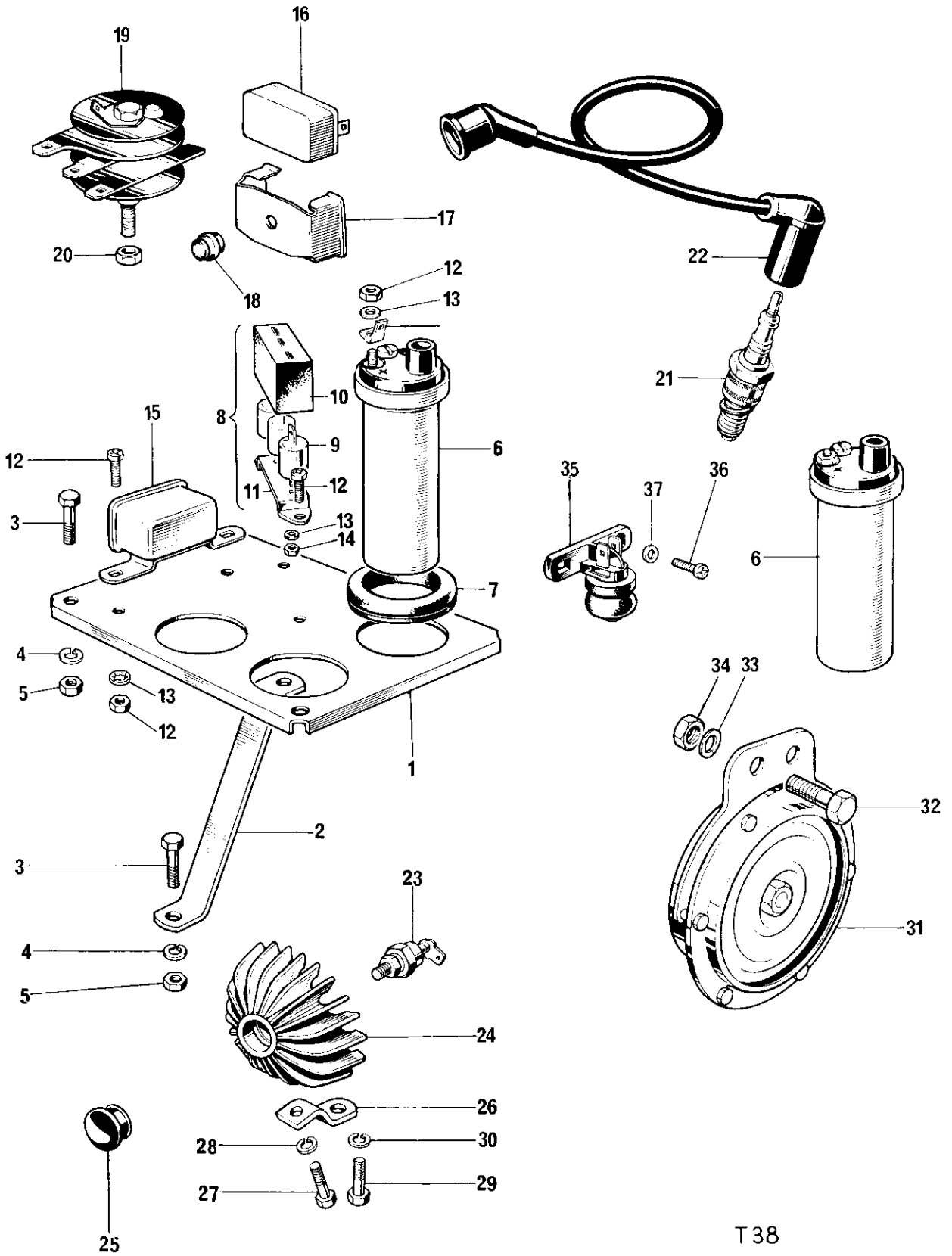
Fig. 33. SPEEDOMETER AND TACHOMETER



Ref. No.	Part No.	DESCRIPTION	QUANTITY	REMARKS
----------	----------	-------------	----------	---------

### SPEEDOMETER AND TACHOMETER

1	60-2394	Speedometer head MPH (SSM 5007/00)	1	
1	60-2395	Speedometer head KPH (SSM 5007/01)	1	Available
2	54953387	Bulbholder	1	Reference only
3	643	Bulb	1	Reference only
4	41-148-203-10	Trip control (99-0176)	1	
5	60-3376	Speedometer cable	1	
6	60-2396	Tachometer head (RSM 3003/13)	1	
7	60-0578	Tachometer cable	1	
8	31-371-398	Spade (99-0173)	1	
9	60-0494	Circlip	1	
10	71-1439	Joint washer, tacho drive	1	
11	70-8740	Housing tacho driven gear	1	
12	70-8741	Driven gear	1	
13	70-8742	Tacho bearing housing	1	
14	70-6124	Bush	1	
15	70-3309	'O' ring	1	
16	70-6299	'O' ring, driven gear	1	
17	70-8744	Locating screw	1	
18	14-6605	Screw, housing to c/case	3	
19	60-2600	Rubber cup	2	
20	97-4026	Bracket	2	

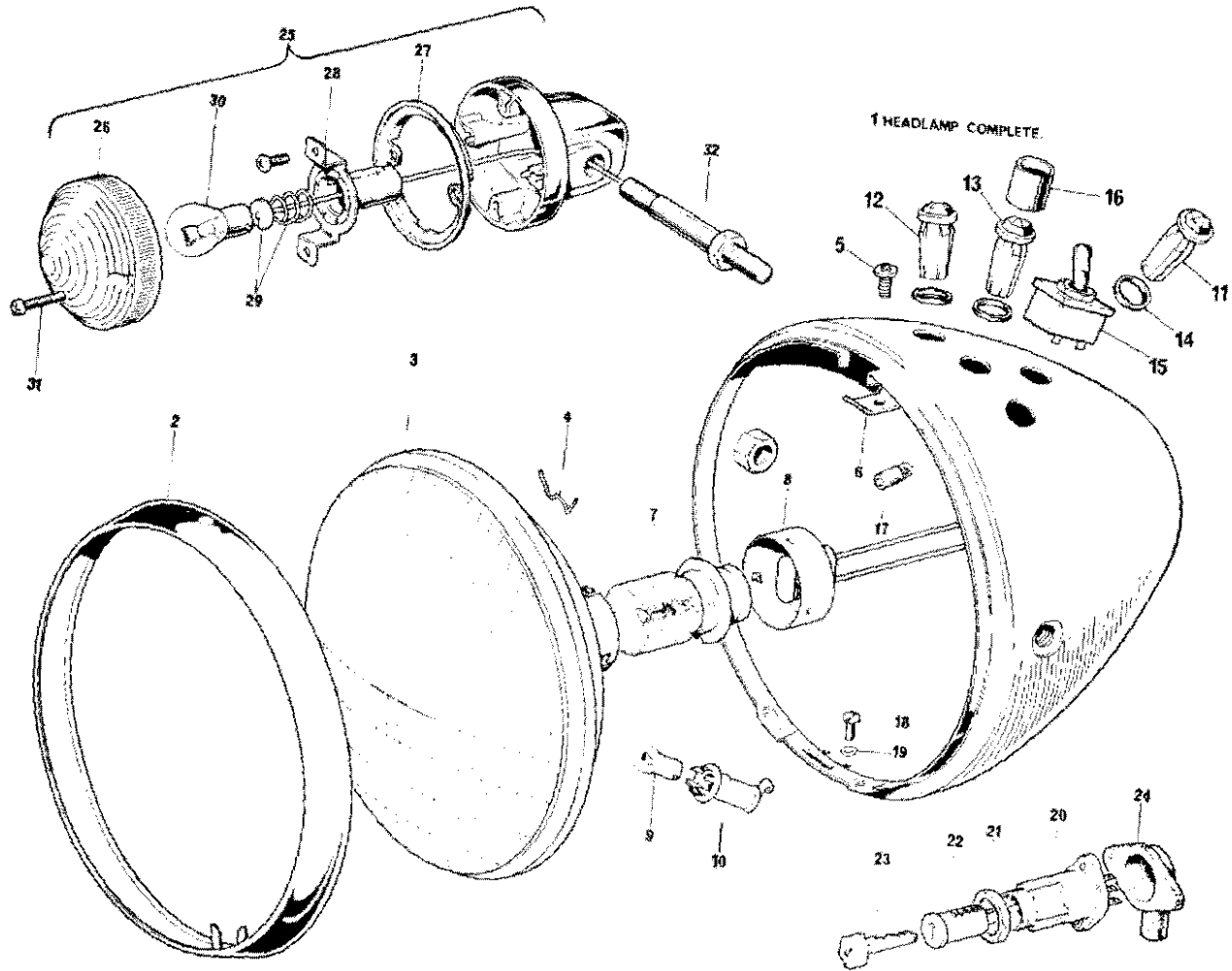


T38

Fig. 34. IGNITION COILS, HORNS, RECTIFIER AND ZENER DIODE

**IGNITION COILS, HORNS, RECTIFIER ZENER DIODE**

1	83-3230	Electrical platform ... ..	1	
2	82-9565	Platform stay ... ..	1	
3	14-0102	Bolt ... ..	4	
4	60-2329	Washer ... ..	4	
5	14-1302	Nut ... ..	4	
6	60-2203	Ignition coil—17m12 (45223) ... ..	3	
7	82-9561	Coil grommet ... ..	3	
8	47637	CAPACITOR PACK—2CP ... ..		Reference only
9	54420128	Capacitor (99-1043) ... ..	3	
10	54418528	Cover (99-0767) ... ..	1	
11	54418526	Base plate (99-1160) ... ..	1	
12	21-2079	Screw ... ..	5	
13	60-2391	Shakeproof washer ... ..	4	
14	21-0778	Nut ... ..	4	
15	33213	Horn relay 6RA (99-1227) ... ..	1	
16	35048	Flasher unit—8FL (99-1201) ... ..	1	
17	54385091	Clip, flasher unit ... ..	1	
18	83-2569	Grommet, flasher unit ... ..	1	
19	99-0589	RECTIFIER (49072) ... ..	1	
20	82-5338	Nut (156596) ... ..	1	
21	N3	Sparking plug ... ..		Reference only
22	60-3043	Plug cover (WC200) ... ..	3	
23	49345	Zener diode (99-0590) ... ..	1	
24	97-2237	Heat sink ... ..	1	
25	97-2275	Plug, heat sink ... ..	1	
26	97-4160	Bracket, heat sink ... ..	1	
27	14-6102	Bolt } Bracket to heat sink ... ..	1	
28	60-4250	Washer } ... ..	1	
29	14-0113	Bolt } Bracket to fork leg ... ..	1	
30	60-4260	Washer } ... ..	1	
31	60-2623	Horn (Clearhooter HF80—low note) ... ..	1	
31	60-2624	Horn (Clearhooter HF80—high note) ... ..	1	
32	14-0103	Bolt } Horn mounting ... ..	4	
33	60-4245	Washer } ... ..	4	
34	14-1201	Nut } ... ..	4	
35	34815	Stoplamp switch 118SA (99-1028) ... ..	1	
36	21-0683	Screw ... ..	2	
37	70-2351	Washer ... ..	2	



B30

Fig. 35. HEADLAMP AND FLASHER LAMPS

### HEADLAMP AND FLASHER LAMPS

1	60512	HEADLAMP COMPLETE SS 700 P.(99-1267)	1	
2	553248	Rim (99-0692)	1	
3	54525272	Light unit (99-1212)	1	
4	504665	Fixing wire (99-0683)	6	
5	144921	Screw		Reference only
6	534296	Plate		Reference only
7	370	Main bulb (45/35V) (99-1214)	1	
8	554602	Bulbholder		Reference only
9	989	Pilot bulb (99-0548)	1	
10	54573590	Pilot bulbholder (99-1213)	1	
11	54363454	Warning light (Red) (99-1208)	1	
12	54363455	Warning light (Green) (99-1209)	1	
13	54363453	Warning light (Amber) (99-1207)	1	
14	54140331	Sealing washer (99-1210)	3	
15	35710	Light switch (99-0563)	1	
16	54525212	Shield, warning light		Reference only
17	281	Bulb, warning light (99-0537)	3	
18	54115106	Screw, (99-1223)	2	
19	143086	Washer, (99-1224)	2	
Not illus.	54961595	Wiring harness (99-1260)	1	
20	31899	IGNITION SWITCH (99-0558)	1	
21	54130041	Nut		Reference only
22	82-6981	IGNITION LOCK C/W KEY	1	
23	60-0622	Key (state serial number)		As required
24	97-2262	Cover, ignition switch	1	
25	56147	FLASHER LAMP (99-1190)	4	
26	54581638	Lens (99-1191)	1	
27	54580300	Gasket		Reference only
28	554548	Bulbholder		Reference only
29	573832	Interior assembly		Reference only
30	382	Bulb (99-1192)	1	
31	54123401	Screw (99-1193)	2	
32	60600092	Stanchion, flasher lamp (99-1246)	4	

## STANDARD HARDWARE SPECIFICATION BOLTS

Part No.	Material	Thd. dia.	Length under head	Min. length of thread	Hexagon A.F.
21-1822	Steel	$\frac{5}{16}$ " UNF	$\frac{1}{2}$ "	$\frac{27}{64}$ "	0.500"
21-1910	"	$\frac{3}{8}$ " UNF	$\frac{13}{16}$ "	$\frac{13}{16}$ "	0.565"
21-1919	"	$\frac{5}{16}$ " UNC	$1\frac{5}{8}$ "	$\frac{7}{8}$ "	0.500"
21-2010	"	$\frac{1}{4}$ " UNF	$\frac{13}{16}$ "	$\frac{3}{4}$ "	0.375"
14-0101	"	$\frac{1}{4}$ " UNF	$\frac{1}{2}$ "		0.438"
14-0102	"	$\frac{1}{4}$ " UNF	$\frac{5}{8}$ "		0.438"
14-0103	"	$\frac{1}{4}$ " UNF	$\frac{3}{4}$ "		0.438"
14-0105	"	$\frac{1}{4}$ " UNF	1"		0.438"
14-0113	"	$\frac{5}{16}$ " UNF	$\frac{5}{8}$ "		0.500"
14-0114	"	$\frac{5}{16}$ " UNF	$\frac{3}{4}$ "		0.500"
14-0115	"	$\frac{5}{16}$ " UNF	$\frac{7}{8}$ "		0.500"
14-0116	"	$\frac{5}{16}$ " UNF	1"		0.500"
14-0126	"	$\frac{3}{8}$ " UNF	$\frac{3}{4}$ "		0.563"
14-0128	"	$\frac{3}{8}$ " UNFF	1"		0.563"
14-0132	"	$\frac{7}{16}$ " UN	$\frac{7}{8}$ "		0.625"
14-0201	"	$\frac{1}{4}$ " UNF	1"	$\frac{3}{4}$ "	0.438"
14-0202	"	$\frac{1}{4}$ " UNF	$1\frac{1}{8}$ "	$\frac{3}{4}$ "	0.438"
14-0205	"	$\frac{1}{4}$ " UNF	$1\frac{1}{2}$ "	$\frac{3}{4}$ "	0.438"
14-0208	"	$\frac{1}{4}$ " UNF	$2\frac{1}{4}$ "	$\frac{3}{4}$ "	0.438"
14-0216	"	$\frac{5}{16}$ " UNF	$1\frac{1}{8}$ "	$\frac{7}{8}$ "	0.500"
14-0217	"	$\frac{5}{16}$ " UNF	$1\frac{1}{4}$ "	$\frac{7}{8}$ "	0.500"
14-0219	"	$\frac{5}{16}$ " UNF	$1\frac{1}{2}$ "	$\frac{7}{8}$ "	0.500"
14-0220	"	$\frac{5}{16}$ " UNF	$1\frac{3}{4}$ "	$\frac{7}{8}$ "	0.500"
14-0221	"	$\frac{5}{16}$ " UNF	2"	$\frac{7}{8}$ "	0.500"
14-0222	"	$\frac{5}{16}$ " UNF	$2\frac{1}{4}$ "	$\frac{7}{8}$ "	0.500"
14-0225	"	$\frac{5}{16}$ " UNF	3"	$\frac{7}{8}$ "	0.500"
14-0228	"	$\frac{5}{16}$ " UNF	4"	$\frac{7}{8}$ "	0.500"
14-0234	"	$\frac{3}{8}$ " UNF	$1\frac{3}{4}$ "	1"	0.563"
14-0235	"	$\frac{3}{8}$ " UNF	2"	1"	0.563"
14-0236	"	$\frac{3}{8}$ " UNF	$2\frac{1}{4}$ "	1"	0.563"
14-0237	"	$\frac{3}{8}$ " UNF	$2\frac{1}{2}$ "	1"	0.563"
14-0239	"	$\frac{3}{8}$ " UNF	3"	1"	0.563"
14-0241	"	$\frac{3}{8}$ " UNF	$3\frac{1}{2}$ "	1"	0.563"
14-0242	"	$\frac{3}{8}$ " UNF	4"	1"	0.563"
14-0251	"	$\frac{7}{16}$ " UNF	$2\frac{3}{4}$ "	$1\frac{1}{4}$ "	0.625"
14-6101	"	$\frac{1}{4}$ " UNC	$\frac{1}{2}$ "		0.438"
14-6102	"	$\frac{1}{4}$ " UNC	$\frac{5}{8}$ "		0.438"
14-6115	"	$\frac{5}{16}$ " UNC	$\frac{7}{8}$ "		0.500"
14-6121	"	$\frac{5}{16}$ " UNC	$2\frac{1}{2}$ "		0.500"

## N U T S

<i>Part No.</i>	<i>Material</i>	<i>Thd. dia.</i>	<i>Hexagon A.F.</i>	<i>Thickness</i>	<i>Remarks</i>
21-0778	Steel	No. 10 UNF	0.375"	0.225"	Cleveloc
21-1852	"	$\frac{5}{16}$ " UNF	0.437"	0.330"	Philidas
21-1906	"	$\frac{1}{4}$ " UNF	0.438"	0.188"	Plain
21-1908	"	$\frac{5}{16}$ " UNF	0.438"	0.313"	Plain
21-1914	"	$\frac{3}{4}$ " UNEF	1.125"	0.250"	Plain
21-2912	"	$\frac{7}{8}$ " UNEF	1.313"	0.438"	Plain
21-2013	"	$\frac{3}{4}$ " UNEF	1.313"	0.313"	Plain
21-2014	"	$\frac{3}{4}$ " UNEF	1.313"	0.438"	Plain
14-0301	"	$\frac{1}{4}$ " UNF	0.438"	0.224"	Plain
14-0302	"	$\frac{5}{16}$ " UNF	0.500"	0.271"	Plain
14-0303	"	$\frac{3}{8}$ " UNF	0.563"	0.300"	Plain
14-0304	"	$\frac{7}{16}$ " UNF	0.688"	0.375"	Plain
14-0401	"	$\frac{1}{4}$ " UNF	0.438"	0.161"	Lock
14-0402	"	$\frac{5}{16}$ " UNF	0.500"	0.192"	Lock
14-0403	"	$\frac{3}{8}$ " UNF	0.563"	0.224"	Lock
14-0404	"	$\frac{7}{16}$ " UNF	0.688"	0.250"	Lock
14-0701	"	$\frac{1}{4}$ " UNF	0.438"	0.203"	Philidas
14-0702	"	$\frac{5}{16}$ " UNF	0.500"	0.246"	Philidas
14-0703	"	$\frac{3}{8}$ " UNF	0.563"	0.296"	Philidas
14-1201	"	$\frac{1}{4}$ " UNF	0.438"	0.285"	Stiffnut
14-1202	"	$\frac{5}{16}$ " UNF	0.500"	0.335"	Stiffnut
14-1301	"	$\frac{1}{4}$ " UNF	0.438"	0.245"	Stiffnut
14-1302	"	$\frac{5}{16}$ " UNF	0.500"	0.290"	Stiffnut
14-1303	"	$\frac{3}{8}$ " UNF	0.563"	0.320"	Stiffnut
14-1304	"	$\frac{7}{16}$ " UNF	0.688"	0.375"	Stiffnut
14-1305	"	$\frac{1}{2}$ " UNF	0.750"	0.435"	Stiffnut
14-1901	"	$\frac{1}{4}$ " UNF	0.438"	0.283"	Nyloc
14-1902	"	$\frac{5}{16}$ " UNF	0.500"	0.361"	Nyloc
14-1903	"	$\frac{3}{8}$ " UNF	0.563"	0.375"	Nyloc

## S C R E W S

<i>Part No.</i>	<i>Type of head</i>	<i>Material</i>	<i>Thd. dia.</i>	<i>Length under head</i>	<i>Type of drive</i>
21-1916	Cheese head	Steel	$\frac{1}{4}$ " UNC	$1\frac{1}{8}$ "	Cross recess
21-1917	Cheese head	"	$\frac{1}{4}$ " UNC	$2\frac{5}{8}$ "	Cross recess
21-1918	Cheese head	"	$\frac{1}{4}$ " UNC	$2\frac{3}{8}$ "	Cross recess
21-1920	Hex. head	"	$\frac{1}{4}$ " UNC	$\frac{21}{64}$ "	Cross recess
21-1929	Countersunk 82°	"	$\frac{1}{4}$ " UNC	$\frac{17}{32}$ "	Slot
21-2079	Cheese head	"	No. 10 UNF	$\frac{1}{2}$ "	Pozidrive
14-0604	Cheese head	"	$\frac{1}{4}$ " UNF	$\frac{1}{2}$ "	Cross recess
14-6504	Countersunk (82°)	"	$\frac{1}{4}$ " UNC	$\frac{3}{4}$ "	Cross recess
14-6505	Countersunk (82°)	"	$\frac{1}{4}$ " UNC	$\frac{7}{8}$ "	Cross recess
14-6606	Cheese head	"	$\frac{1}{4}$ " UNC	$\frac{3}{4}$ "	Cross recess
14-6607	Cheese head	"	$\frac{1}{4}$ " UNC	$\frac{7}{8}$ "	Cross recess
14-6608	Cheese head	"	$\frac{1}{4}$ " UNC	1"	Cross recess
14-6609	Cheese head	"	$\frac{1}{4}$ " UNC	$1\frac{1}{4}$ "	Cross recess
14-6610	Cheese head	"	$\frac{1}{4}$ " UNC	$1\frac{1}{2}$ "	Cross recess
14-6611	Cheese head	"	$\frac{1}{4}$ " UNC	$1\frac{3}{4}$ "	Cross recess
14-6612	Cheese head	"	$\frac{1}{4}$ " UNC	2"	Cross recess
14-6613	Cheese head	"	$\frac{1}{4}$ " UNC	$2\frac{1}{4}$ "	Cross recess
14-6614	Cheese head	"	$\frac{1}{4}$ " UNC	$2\frac{1}{2}$ "	Cross recess
14-6615	Cheese head	"	$\frac{1}{4}$ " UNC	3"	Cross recess
14-7004	Socket head	"	$\frac{1}{4}$ " UNC	$\frac{1}{4}$ "	Hex. socket
14-7019	Socket head	"	$\frac{5}{16}$ "	$\frac{7}{8}$ "	Hex. socket
14-7024	Socket head	"	$\frac{5}{16}$ "	2"	Hex. socket

### WASHERS—PLAIN

<i>Part No.</i>	<i>Material</i>	<i>i/dia.</i>	<i>o/dia.</i>	<i>Thickness</i>
60-4245	Steel	0.273"	0.563"	0.048"
60-4246	Steel	0.398"	0.750"	0.063"
60-4247	Steel	0.336"	0.625"	0.063"
37-2027	Steel	0.531"	1.031"	0.092"
60-4248	Steel	0.266"	0.469"	0.064"
60-4267	Steel	0.453"	0.750"	0.064"

### WASHERS—SPRING

<i>Part No.</i>	<i>Material</i>	<i>i/dia.</i>	<i>o/dia.</i>	<i>o/a height</i>	<i>Thickness</i>
60-4259	Spring Steel	$\frac{3}{8}$ " clearance	$\frac{19}{32}$ "	$\frac{7}{32}$ "	0.104"
60-4250	Spring Steel	$\frac{1}{4}$ " clearance	$\frac{13}{32}$ "	$\frac{7}{16}$ "	0.064"
60-3541	Spring Steel	$\frac{17}{32}$ "	$\frac{7}{8}$ "	$\frac{7}{32}$ "	0.040**
21-0648	Spring Steel	$\frac{5}{16}$ " clearance	$\frac{1}{2}$ "	$\frac{5}{32}$ "	0.080"

\*\* Double coil.